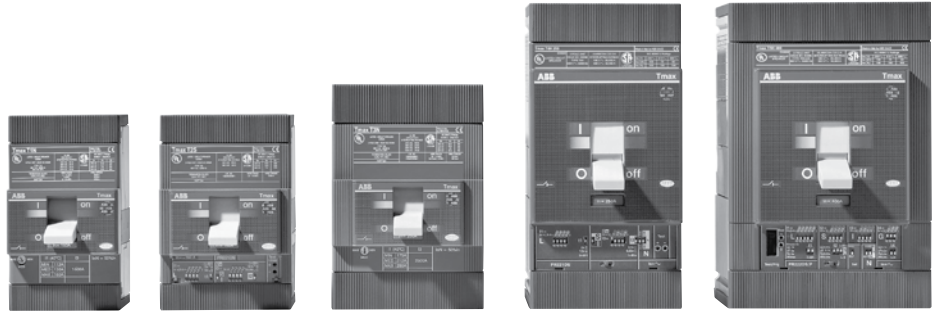


Tmax Molded case circuit breakers



Tmax Molded case circuit breakers



Introduction

ABB is once again demonstrating its commitment to new product development and its superiority in product technology. Never before has the industry seen such high performance, versatility and standardization in a range of molded case circuit breakers.

The ABB Tmax line of circuit breakers, with a range up to 3000A, has several key features that go along with its very small size:

- Double insulation – this construction characteristic allows for the UL Listed field installation of internal accessories without exposure to energized parts.
- Complete range of electrical and mechanical accessories
- Positive operation – breakers from ABB ensure that the toggle indicates the precise position of the moving contacts. This guarantees safe and reliable signaling by the device.
- Installation – Tmax molded case circuit breakers can be installed in panels and switchboards in either the horizontal or vertical planes while being fed from either end without any derating of their performance characteristics.
- Interrupting ratings at 480VAC up to 150kAIC.
- Compact size
- All Tmax molded case circuit breakers are UL Listed and IEC rated for global application and acceptance.
- All versions of the Tmax family are suitable for reverse feed applications.

The ABB Tmax product line has the performance and accessories to satisfy all industry requirements in the 600VAC to 600VDC ranges.

Frame sizes – Eight basic sizes

The ABB Tmax series includes eight basic frame sizes as well as the T1 single pole with the range rated from 15A to 1200A at 480VAC. The various versions carry the following interrupting capacities:

- **B** Basic breaking capacity
- **N** Normal breaking capacity
- **S** Standard breaking capacity
- **H** High breaking capacity
- **L** Extra high breaking capacity
- **V** Very high breaking capacity

Derived versions

- Thermal magnetic
- Electronic
- Molded case switches
- Motor circuit protectors (MCPs)
- Direct current (DC) rated

ABB Tmax versions

- Fixed: all models
- Drawout or plug-in: T2, T3, Ts3, T4, T5, T6 and T7
- UL File #E93565 (breakers and MCPs)
#E116596 (Accessories)
#E116595 (Molded case switches)

Selection Guide

Circuit breakers for power distribution

T1 – Ts3



T1 1P



T1



T2



T3



Ts3

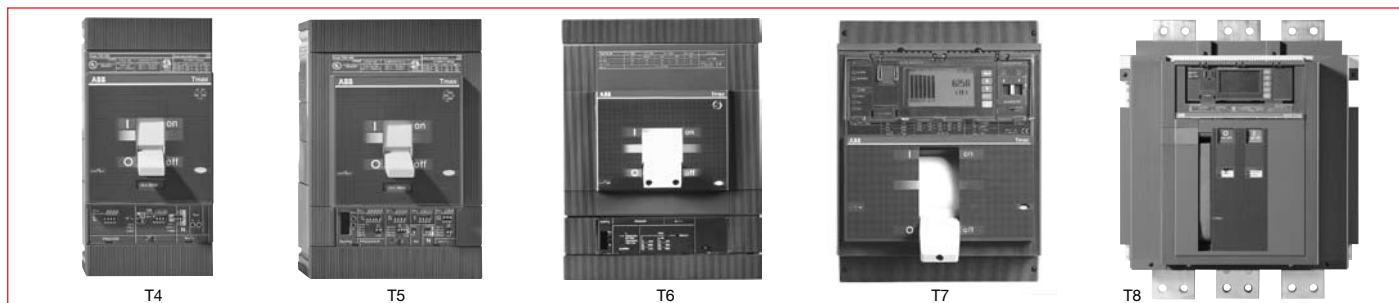
Type		Tmax T1 1p	Tmax T1	Tmax T2	Tmax T3	Tmax Ts3	Tmax Ts3
Frame size	[A]	100	100	100	225	150	225
Number of poles	[Nr]	1	3-4	3-4	3-4	2-3-4	2-3-4
Rated voltage	AC (50-60Hz) [V]	347	600Y/347	480	600Y/347	600	480
	DC [V]		500		500	600	500
Interrupting ratings		B	N	S H	N S	N H L	N H L
	240V AC [kA rms]		50 ②	65 150	50 65	65 100 150	65 100 150
	277V AC [kA rms]	18 ①					
	347V AC [kA rms]	14 ①					
	480V AC [kA rms]		22 ②	35 65	25 35	25 50 85 ⑤	25 50 65
	600Y/347V AC [kA rms]		10		10 10		
	600V AC [kA rms]					14 14 25	
	250V DC (2 poles in series) [kA rms]		25		25 35		
500V DC (3 poles in series) [kA rms]		25		25 35			
500V DC (2 poles in series) [kA rms]					35 50 65	20 35 50	
600V DC (3 poles in series) [kA rms]					20 35 50		
Trip units	TMF	■	■	■	■	■	■
	TMD/TMA						
	ELT			■			
	MA			■	■	■	■
	Electronic			■			
Dimensions	H [in/mm]	5.12/130	5.12/130	5.12/130	5.9/150	6.7/170	6.7/170
	W 3p [in/mm]	1/25.4	3/76	3.54/90	4.13/105	4.13/105	4.13/105
	D [in/mm]	2.76/70	2.76/70	2.76/70	2.76/70	4.07/103.5	4.07/103.5
Mechanical life	[No. operations]	25000	25000	25000	25000	25000	25000

① In15A = 10kA@277VAC 10kA@347VAC
 ② In15A = 35kA@240VAC 14kA@480Y/277 VAC
 ③ T5 600 with electronic trip units only and in three pole version
 ④ 2p breakers: available only in N interrupting rating
 ⑤ In from 15A up to 30A=65kA@480V AC

Selection Guide

Circuit breakers for power distribution

T4 – T8



Type		Tmax T4					Tmax T5					Tmax T6				Tmax T7			Insulated case T8 / S8	
		N	S	H	L	V	N	S	H	L	V	N	S	H	L	S	H	L	T8V	S8V
Frame size	[A]	250					400-600 ③					800				1000-1200			1600, 2000, 2500 & 3000	
Number of poles	[Nr]	2-3-4 ④					2-3-4 ④					3-4				3-4			3	
Rated voltage	AC (50-60Hz)	600					600					600				600			600	
	DC	600					600					600								
Interrupting ratings		N	S	H	L	V	N	S	H	L	V	N	S	H	L	S	H	L	T8V	S8V
240V AC	[kA rms]	65	100	150	200	200	65	100	150	200	200	65	100	200	200	65	100	150	125	125
277V AC	[kA rms]																			
347V AC	[kA rms]																			
480V AC	[kA rms]	25	35	65	100	150	25	35	65	100	150	35	50	65	100	50	65	100	125	100
600Y/347V AC	[kA rms]																			
600V AC	[kA rms]	18	25	35	65	100	18	25	35	65	100	20	25	35	42	25	50	65	100	85
250V DC (2 poles in series)	[kA rms]																			
500V DC (3 poles in series)	[kA rms]																			
500V DC (2 poles in series)	[kA rms]	25	35	50	65	100	25	35	50	65	100	35	35	50	65					
600V DC (3 poles in series)	[kA rms]	16	25	35	50	65	16	25	35	50	65	20	20	35	50					25 ⑥
Trip units	TMF	■										■								
	TMD/TMA	■					■					■								
	ELT																			
	MA																			
	Electronic	■					■					■				■				
Dimensions	H	8.07/205					8.07/205					10.55/268				10.55/268			15 / 382	15.75 / 400
	W 3p	4.13/105					5.51/140					8.26/210				8.26/210			16.8 / 427	15.98 / 406
	D	4.07/103.5					4.07/103.5					4.07/103.5				6.06/154 (toggle) 7/178 (motor)			11.2 / 282	9.53 / 242
Mechanical life	[No. operations]	20,000					20,000					20,000				10,000			15,000	10,000

① In15A = 10kA@277 VAC 10kA@347 VAC
 ② In15A = 35kA@240 VAC 14kA@480Y/277 VAC
 ③ T5 600 with electronic trip units only and in three pole version-
 ④ 2p T4N250 and T5N400 available only in N interrupting capacity.
 ⑤ In from 15A up to 30A=65kA@480 VAC
 ⑥ Applies to MCS only.

General information

Catalog number explanation

T3 S 080 T W - 4 xxx

Accessories (added in alpha-numeric order) [Ⓛ]

- A** = Auxiliary Switch
- S_** = Shunt trip with voltage code
- U_** = Undervoltage release with voltage code

Number of poles

- 1 = 1 pole (T1 only)
- 2 = 2 pole
- 4 = 4 pole
- None** = 3 pole

Type connectors

- W** = None
- L** = Lugs included

Trip unit function

- B** = LS/I (AC only)
- D** = Molded Case Switch (MCS)
- T** = Thermal-magnetic
- M** = Magnetic only (MCP)
- E5** = Electronic MCP (AC only)
- C** = LSI (AC only)
- E** = LSIG (AC only)

Current rating

- 015** = 15A
- 080** = 80A
- 100** = 100A
- 225** = 225A
- 250** = 250A
- 400** = 400A
- 600** = 600A
- 800** = 800A
- 1200** = 1200A

Interrupting rating class

- B** = Basic
- N** = Normal
- S** = Standard
- H** = High
- L** = Extra High
- V** = Very high

Frame size

- T1** = 100A
- T2** = 100A
- T3** = 225A
- Ts3** = 225A
- T4** = 250A
- T5** = 400A, 600A
- T6** = 600A, 800A
- T7** = 1000A, 1200A



[Ⓛ] Consult ABB for factory installed accessories.

T1

100A, 600Y/347V, 480V Δ

Thermal-magnetic



T1

Dimensions 3P Fixed Version 5.12H x 3.00W x 2.76D
Weight 2.34 (lbs)

General

The T1 breaker family ranges from 15 through 100 amperes. The T1 trip units are non-interchangeable and use the very latest technology in electromagnetic relays for overcurrent trip protection. Thermal overload protection is provided by heat sensitive bimetals. Short circuit protection for the breaker is accomplished using a precise magnetic coil. State of the art construction in contacts and arcing chambers aid in limiting damaging fault currents through the protected circuits.

Standards

The UL489/CSA 22.2 version of T1 also carries an IEC-60947-2 rating.

Versions

The T1 frame is available in two versions:

- T = Thermal-magnetic, fixed
- D = Molded case switch

Performance levels

The T1 breaker has two performance levels available:

- B = Basic single pole
- N = Normal three pole

Number of poles

The T1 molded case circuit breaker is available in single, three and four pole versions. Estimate 4 pole pricing by adding 35% to the 3 pole price and contact your ABB sales person for details.

Molded case switches

UL489 switches include no overcurrent protection except for a high instantaneous trip mechanism for self protection.

UL489 / CSA C22.2 Interrupting capacity (kA RMS)

Voltage	Continuous rating	B (1 pole)	N
240VAC	15 – 100A	–	50 ①
347VAC	15A 20 – 100A	10 14	– –
480VAC Δ	15A ② 20 – 100A	– –	14 22
600Y/347VAC	15 – 100A	–	10
250VDC 2 pole series	15 – 100A	–	25
500VDC 3 pole series	15 – 100A	–	25

IEC 60947-2 Interrupting capacity (kA RMS)

Voltage	Continuous rating	B (1 pole)	N
230VAC	15 – 100A	25 ③	50
415VAC	15 – 100A	–	36
690VAC	15 – 100A	–	6
500VDC 2 pole series	15 – 100A	–	36

① In 15A 35kA @ 240VAC.
 ② 15A available in 480/277 VAC only.
 ③ Interrupting capacity for 16-20A is 16kA



T1

100A, 600Y/347V, 480V Δ

Thermal-magnetic/Molded Case Switch

T1B TMF — Single pole thermal magnetic fixed

Breaker	IC at 277VAC	Rating	Magnetic trip	1 pole, 277VAC catalog number	List price	
T1B	10kA	15A	1000A	T1B015TL-1	\$ 230	
		18kA	20A	1000A		T1B020TL-1
	25A		1000A	T1B025TL-1		
	30A		1000A	T1B030TL-1		
	40A		1000A	T1B040TL-1		
	50A		1500A	T1B050TL-1		
	60A		1500A	T1B060TL-1		
	70A	1500A	T1B070TL-1	262		
		80A	1500A			T1B080TL-1
		90A	1500A			T1B090TL-1
100A		1500A	T1B100TL-1			

T1N TMF — 3 pole thermal magnetic fixed

Breaker	IC at 480VAC	Rating	Magnetic trip	3 pole, 600Y/347VAC/500VDC catalog number	List price	
T1N	14kA	15A	1000A	T1N015TL①	\$ 402	
		22kA	20A	1000A		T1N020TL
	25A		1000A	T1N025TL		
	30A		1000A	T1N030TL		
	40A		1000A	T1N040TL		
	50A		1500A	T1N050TL		
	60A		1500A	T1N060TL		
	70A	1500A	T1N070TL	479		
		80A	1500A			T1N080TL
		90A	1500A			T1N090TL
100A		1500A	T1N100TL			

T1N TMF — 100% Rated thermal-magnetic

Breaker	IC at 480VAC	Rating	Magnetic trip	3 pole 600Y/347 500VDC catalog number	List price	
T1N	14kA	15 ①	1000A	T1NQ015TL	\$ 442	
		22kA	20	1000A		T1NQ020TL
	25		1000A	T1NQ025TL		
	30		1000A	T1NQ030TL		
	40		1000A	T1NQ040TL		
	50		1500A	T1NQ050TL		
	60		1500A	T1NQ060TL		
	70	1500A	T1NQ070TL	527		
		80	1500A			T1NQ080TL
		90	1500A			T1NQ090TL
100		1500A	T1NQ100TL			

T1N-D — Molded case switch

Breaker	Interrupting capacity ②	Rating	Magnetic trip	480VAC/500VDC catalog number	List price
T1-D	240V, 50kA	100A	1000A	T1N100DL	\$ 431

① Rated 480V/277 VAC for 15A.

② When protected by a OCPD with appropriate ratings.

T2

100A, 480V Δ

Thermal-magnetic/electronic/current limiting



Dimensions 3P Fixed Version 5.12H x 3.54W x 2.76D
Weight 2.84 (lbs)

General

The T2 breaker family ranges from 15 through 100 amperes. The T2 trip units are non-interchangeable and use the very latest technology in electromagnetic relays for overcurrent trip protection as well as a version with microprocessor-based electronic trip unit. Thermal overload protection is provided by heat sensitive bimetals. State of the art construction in contacts and arcing chambers aid in limiting damaging fault currents through the protected circuits.

Standards

The UL489/CSA 22.2 version of T2 also carries an IEC-60947-2 rating.

Versions

The T2 frame is available in four versions:

- T = Thermal-magnetic, fixed
- B = Adjustable LS/I electronic
- M = Magnetic only (MCP)
- E5 = Electronic instantaneous only (MCP)

Trip functions

These tripping functions are available:

- L = Long time
- S = Short time
- I - Instantaneous

Performance levels

The T2 breaker has two performance levels available:

- S = Standard
- H = High - UL Current Limiting

Number of poles

The T2 is available in three and four pole versions. Estimate 4 pole pricing by adding 35% to the 3 pole price and contact your ABB sales person for details.

UL489 / CSA C22.2 Interrupting capacity (kA RMS)

Voltage	Continuous rating	S	H
240VAC	15 – 100A	65	100
480VAC Δ	15 – 100A	35	65

IEC 60947-2 Interrupting capacity (kA RMS)

Voltage	Continuous rating	B (1 pole)	N
230VAC	15 – 100A	85	100
415VAC	15 – 100A	50	70
690VAC	15 – 100A	7	8
500VDC 2 pole series	15 – 100A	50	70



T2

100A, 480V Δ

Thermal-magnetic/current limiting

T2 – 100A TMF thermal magnetic fixed

Breaker	IC at 480VAC	Rating	Magnetic trip	3 pole, 480VAC catalog number	List price
T2S	35kA	15A	500A	T2S015TW	\$ 690
		20A	500A	T2S020TW	
		25A	500A	T2S025TW	
		30A	500A	T2S030TW	
		40A	500A	T2S040TW	
		50A	500A	T2S050TW	
		60A	600A	T2S060TW	
		70A	700A	T2S070TW	793
		80A	800A	T2S080TW	
		90A	900A	T2S090TW	
		100A	1000A	T2S100TW	

Breaker	IC at 480VAC	Rating	Magnetic trip	3 pole, 480VAC catalog number	List price
T2H UL Current Limiting	65kA	15A	500A	T2H015TW	\$ 942
		20A	500A	T2H020TW	
		25A	500A	T2H025TW	
		30A	500A	T2H030TW	
		40A	500A	T2H040TW	
		50A	500A	T2H050TW	
		60A	600A	T2H060TW	
		70A	700A	T2H070TW	1,153
		80A	800A	T2H080TW	
		90A	900A	T2H090TW	
		100A	1000A	T2H100TW	

T2 – 100A TMF, 100% rated thermal magnetic fixed

Breaker	IC at 480VAC	Rating	Magnetic trip	3 pole, 480VAC catalog number	List price
T2S	35kA	15A	500A	T2SQ015TW	\$ 760
		20A	500A	T2SQ020TW	
		25A	500A	T2SQ025TW	
		30A	500A	T2SQ030TW	
		40A	500A	T2SQ040TW	
		50A	500A	T2SQ050TW	
		60A	600A	T2SQ060TW	
		70A	700A	T2SQ070TW	872
		80A	800A	T2SQ080TW	
		90A	900A	T2SQ090TW	
		100A	1000A	T2SQ100TW	

16

Breaker	IC at 480VAC	Rating	Magnetic trip	3 pole, 480VAC catalog number	List price
T2H UL Current Limiting	65kA	15A	500A	T2HQ015TW	\$ 1,025
		20A	500A	T2HQ020TW	
		25A	500A	T2HQ025TW	
		30A	500A	T2HQ030TW	
		40A	500A	T2HQ040TW	
		50A	500A	T2HQ050TW	
		60A	600A	T2HQ060TW	
		70A	700A	T2HQ070TW	1,268
		80A	800A	T2HQ080TW	
		90A	900A	T2HQ090TW	
		100A	1000A	T2HQ100TW	

T2

100A, 480V Δ, 100% rated

Electronic/Current limiting/MCP



T2 – 100A Frame, electronic trip unit (AC only)

Breaker	IC at 480VAC	Trip unit type	CT rating	3 pole, 480VAC catalog number	List price
T2S	35kA	PR221DS-LS/I	25A	T2S025BW	\$ 1,240
			60A	T2S060BW	1,240
			100A	T2S100BW	1,343
T2H UL Current Limiting	65kA	PR221DS-LS/I	25A	T2H025BW	1,492
			60A	T2H060BW	1,492
			100A	T2H100BW	1,703

T2 – 100A Frame 100% rated, electronic trip unit (AC only)

Breaker	IC at 480VAC	Trip unit type	CT rating	3 pole, 480VAC catalog number	List price
T2S	35kA	PR221DS-LS/I	25A	T2SQ025BW	\$ 1,363
			60A	T2SQ060BW	
			100A	T2SQ100BW	1,477
T2H UL Current Limiting	65kA	PR221DS-LS/I	25A	T2HQ025BW	1,640
			60A	T2HQ060BW	
			100A	T2HQ100BW	1,873

T2 – 100A Frame, instantaneous only (MCP)

Breaker	IC at 480VAC	Trip unit type	Rating	Adjustment range	3 pole, 480VAC catalog number	List price
T2S	35kA	Mag only	20A	120 - 240	T2S020MW	\$ 598
			50A	300 - 600	T2S050MW	670
			100A	600 - 1200	T2S100MW	804
T2H	65kA	Mag only	20A	120 - 240	T2H020MW	673
			50A	300 - 600	T2H050MW	754
			100A	600 - 1200	T2H100MW	904

T2 – 100A Frame, instantaneous only, electronic (MCP - AC only)

Breaker	IC at 480VAC	Trip unit type	Rating	Adjustment range	3 pole, 480VAC catalog number	List price
T2S	35kA	Instantaneous only	25A	25 - 250	T2S025E5W	\$ 1,178
			60A	60 - 600	T2S060E5W	1,178
			100A	100 - 1000	T2S100E5W	1,276
T2H	65kA	Instantaneous only	25A	25 - 250	T2H025E5W	1,417
			60A	60 - 600	T2H060E5W	1,417
			100A	100 - 1000	T2H100E5W	1,618

Note: For terminal connection options see page 16.43

T3

225A, 600Y/347V, 480V Δ

Thermal-magnetic



T3

Dimensions 3P Fixed Version 5.9H x 4.13W x 2.76D

Weight 5.45 (lbs)

General

The T3 breaker family ranges from 60 through 225 amperes. The T3 trip units are non-interchangeable and use the very latest technology in electromagnetic relays for overcurrent trip protection. Thermal overload protection is provided by heat sensitive bimetals. Short circuit protection begins at 10 times the thermal rating of the breaker using a precise magnetic coil. State of the art construction in contacts and arcing chambers aid in limiting damaging fault currents through the protected circuits.

Standards

The UL489/CSA 22.2 version of T3 also carries an IEC-60947-2 rating.

Versions

The T3 frame is available in three versions:

- T = Thermal-magnetic, fixed
- M = Magnetic only (MCP)
- D = Molded case switch

Performance levels

The T3 breaker has two performance levels available:

- N = Normal
- S = Standard

Number of poles

The T3 molded case circuit breaker is available in three and four pole versions. Estimate 4 pole pricing by adding 35% to the 3 pole price and contact your ABB sales person for details.

UL489 / CSA C22.2 Interrupting capacity (kA RMS)

Voltage	Continuous rating	N	S
240VAC	60 – 225A	50	65
480VAC Δ	60 – 225A	25	35
600Y/347VAC	60 – 225A	10	10
250VDC 2 pole series	60 – 225A	25	35
500VDC 3 pole series	60 – 225A	25	35

IEC 60947-2 Interrupting capacity (kA RMS)

Voltage	Continuous rating	B (1 pole)	N
230VAC	60 – 225A	50	85
415VAC	60 – 225A	36	50
690VAC	60 – 225A	5	8
750VDC 3 pole series	60 – 225A	36	50

Molded case switches

UL489 switches include no overcurrent protection except for a high instantaneous trip mechanism for self protection.

T3

225A, 600Y/347V, 480V Δ

Thermal-magnetic



T3 – 225A Frame TMF, thermal magnetic fixed

Breaker	IC at 480VAC	Rating	Magnetic trip	3 pole, 480VAC/500VDC catalog number	List price
T3N	25kA	60A	600A	T3N060TW	\$ 615
		70A	700A	T3N070TW	740
		80A	800A	T3N080TW	
		90A	900A	T3N090TW	
		100A	1000A	T3N100TW	
		125A	1250A	T3N125TW	1,560
		150A	1500A	T3N150TW	
		175A	1750A	T3N175TW	
		200A	2000A	T3N200TW	1,560
		225A	2250A	T3N225TW	

Breaker	IC at 480VAC	Rating	Magnetic trip	3 pole, 480VAC/500VDC catalog number	List price
T3S	35kA	60A	600A	T3S060TW	\$ 790
		70A	700A	T3S070TW	970
		80A	800A	T3S080TW	
		90A	900A	T3S090TW	
		100A	1000A	T3S100TW	
		125A	1250A	T3S125TW	2,160
		150A	1500A	T3S150TW	
		175A	1750A	T3S175TW	
		200A	2000A	T3S200TW	2,160
		225A	2250A	T3S225TW	

T3 – 225A Frame TMF, 100% rated thermal magnetic fixed

Breaker	IC at 480VAC	Rating	Magnetic trip	3 pole, 600/347V VAC/500VDC catalog number	List price
T3N	25kA	60A	600A	T3NQ060TW	\$ 656
		70A	700A	T3NQ070TW	812
		80A	800A	T3NQ080TW	
		90A	900A	T3NQ090TW	
		100A	1000A	T3NQ100TW	
		125A	1250A	T3NQ125TW	1,717
		150A	1500A	T3NQ150TW	
		175A	1750A	T3NQ175TW	
		200A	2000A	T3NQ200TW	1,717
		225A	2250A	T3NQ225TW	

Breaker	IC at 480VAC	Rating	Magnetic trip	3 pole, 600/347V VAC/500VDC catalog number	List price
T3S	35kA	60A	600A	T3SQ060TW	\$ 778
		70A	700A	T3SQ070TW	1,065
		80A	800A	T3SQ080TW	
		90A	900A	T3SQ090TW	
		100A	1000A	T3SQ100TW	
		125A	1250A	T3SQ125TW	2,399
		150A	1500A	T3SQ150TW	
		175A	1750A	T3SQ175TW	
		200A	2000A	T3SQ200TW	2,399
		225A	2250A	T3SQ225TW	



T3

225A, 600Y/347V, 480V Δ

MCP/Molded case switch

T3 – 225A Frame instantaneous only, (MCP)

Breaker	IC at 480VAC	Trip unit type	Rating	Adjustment range	3 pole, 480VAC catalog number	List price
T3S	35kA	Mag only	100A	600 – 1200	T3S100MW	\$ 1,074
			125A	750 - 1500	T3S125MW	1,108
			150A	900 - 1800	T3S150MW	1,299
			200A	1200 - 2400	T3S200MW	1,382

T3S-D – Molded case switch

Breaker	Interrupting ^① capacity	Rating	Magnetic trip	3 pole, 480VAC/500VDC catalog number	List price
T3S-D	240V, 65kA 480V, 35kA	150A	1500A	T3S150DW	\$ 1,078
		225A	2250A	T3S225DW	1,515

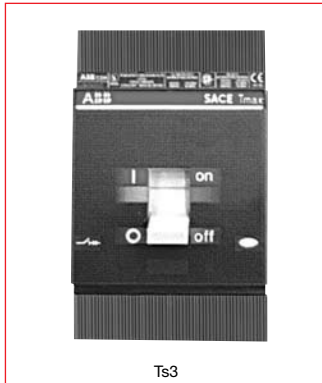
Note: For terminal connection options see page 16.43

^① When protected by a OCPD with appropriate ratings.

Ts3

150A, 600V Δ, 225A, 480V Δ

Thermal magnetic



Dimensions 3P Fixed Version 6.7H x 4.13W x 4.07D
Weight 6.75 (lbs)

General

The Ts3 breaker family ranges from 15 through 225 amperes. The Ts3 trip mechanisms are non-interchangeable and use sensitive electromagnetic relays for overcurrent trip protection. Heat sensitive bimetals are used for thermal overcurrent protection. Short circuit current protection begins at 10 times the thermal rating of the breaker and uses a magnetic coil principle.

Standards

The UL489/CSA 22.2 version of Ts3 also carries an IEC-60947-2 rating.

Versions

To meet all application needs, the Ts3 is available in various versions:

- T = Thermal-magnetic
- D = Molded case switch
- M = Magnetic only (MCP)

Performance level

Each version is also available in different maximum fault interrupting levels

- N = Normal
- H = High
- L = Extra high

Number of poles

The Ts3 is available in two, three and four pole versions. Estimate 4 pole pricing by adding 35% to the 3 pole price and contact your ABB sales person for details.

Molded case switches

UL489 switches include no overcurrent protection except for a high instantaneous trip mechanism for self protection.

UL/CSA Interrupting capacity (kA RMS) UL489 / CSA C22.2

Voltage	N	H	L
150AF, 15A-150A			
240 VAC	65	100	150
480 VAC	25	50	85 [Ⓞ]
600 VAC	14	14	25
500 VDC	35	50	65
600 VDC	20	35	50

Voltage	N	H	L
225AF, 175A-225A			
240 VAC	65	100	150
480 VAC	25	50	65
600 VAC	-	-	-
500 VDC	20	35	50
600 VDC	-	-	-

Voltage	N	H	L
IEC-60947-2 Interrupting capacity (kA RMS)			
230 VAC	65	100	170
415 VAC	35	65	85
690 VAC	14	18	20
750 VDC ^②	20	35	50

Ⓞ 15-30A are 65kA at 480VAC



Ts3

150A, 600V Δ, 225A, 480V Δ

Thermal magnetic

Ts3

150A 600VAC/225A 480VAC

Thermal Magnetic Trip Units

Breaker	IC at 480VAC kA	Rating	Magnetic trip	2 pole, 600VAC/500VDC catalog number	List price	3 pole, 600VAC/DC catalog number	List price
Ts3N	25	15A	500A	Ts3N015TW-2	\$ 814	Ts3N015TW	\$ 958
		20A	500A	Ts3N020TW-2		Ts3N020TW	
		25A	500A	Ts3N025TW-2		Ts3N025TW	
		30A	500A	Ts3N030TW-2		Ts3N030TW	
		35A	500A	Ts3N035TW-2		Ts3N035TW	
		40A	500A	Ts3N040TW-2		Ts3N040TW	
		50A	500A	Ts3N050TW-2	Ts3N050TW		
		60A	600A	Ts3N060TW-2	Ts3N060TW		
		70A	700A	Ts3N070TW-2	948	Ts3N070TW	1,115
		80A	800A	Ts3N080TW-2		Ts3N080TW	
		90A	900A	Ts3N090TW-2		Ts3N090TW	
		100A	1000A	Ts3N100TW-2		Ts3N100TW	
		125A	1250A	Ts3N125TW-2	1,471	Ts3N125TW	1,610
		150A	1500A	Ts3N150TW-2		Ts3N150TW	

Breaker	IC at 480VAC kA	Rating	Magnetic trip	2 pole, 600VAC/500VDC catalog number	List price	3 pole, 600VAC/DC catalog number	List price
Ts3H	50	15A	500A	Ts3H015TW-2	\$ 939	Ts3H015TW	\$ 1,105
		20A	500A	Ts3H020TW-2		Ts3H020TW	
		25A	500A	Ts3H025TW-2		Ts3H025TW	
		30A	500A	Ts3H030TW-2		Ts3H030TW	
		35A	500A	Ts3H035TW-2		Ts3H035TW	
		40A	500A	Ts3H040TW-2		Ts3H040TW	
		50A	500A	Ts3H050TW-2	Ts3H050TW		
		60A	600A	Ts3H060TW-2	Ts3H060TW		
		70A	700A	Ts3H070TW-2	1,071	Ts3H070TW	1,260
		80A	800A	Ts3H080TW-2		Ts3H080TW	
		90A	900A	Ts3H090TW-2		Ts3H090TW	
		100A	1000A	Ts3H100TW-2		Ts3H100TW	
		125A	1250A	Ts3H125TW-2	2,323	Ts3H125TW	2,733
		150A	1500A	Ts3H150TW-2		Ts3H150TW	

16

Breaker	IC at 480VAC kA	Rating	Magnetic trip	2 pole, 600VAC/500VDC catalog number	List price	3 pole, 600VAC/DC catalog number	List price		
Ts3L	65	15A	500A	Ts3L015TW-2	\$ 1,518	Ts3L015TW	\$ 1,786		
		20A	500A	Ts3L020TW-2		Ts3L020TW			
		25A	500A	Ts3L025TW-2		Ts3L025TW			
		30A	500A	Ts3L030TW-2		Ts3L030TW			
		35A	500A	Ts3L035TW-2		Ts3L035TW			
	85	40A	500A	Ts3L040TW-2	1,518	Ts3L040TW	1,786		
		50A	500A	Ts3L050TW-2		Ts3L050TW			
		60A	600A	Ts3L060TW-2		Ts3L060TW			
		70A	700A	Ts3L070TW-2		Ts3L070TW			
		80A	800A	Ts3L080TW-2		1,692		Ts3L080TW	1,990
		90A	900A	Ts3L090TW-2				Ts3L090TW	
		100A	1000A	Ts3L100TW-2				Ts3L100TW	
		125A	1250A	Ts3L125TW-2				3,636	
		150A	1500A	Ts3L150TW-2		Ts3L150TW			

Ts3

150A, 600V Δ, 225A, 480V Δ, 100% rated

Thermal magnetic



Ts3

150A 600VAC/225A 480VAC

Thermal Magnetic Trip Units 100% Rated

Breaker	IC at 480VAC	Rating	Magnetic trip	3 pole 600VAC/DC catalog number	List price
Ts3NQ	25	15A	500A	Ts3NQ015TW	\$ 1,054
		20A	500A	Ts3NQ020TW	
		25A	500A	Ts3NQ025TW	
		30A	500A	Ts3NQ030TW	
		35A	500A	Ts3NQ035TW	
		40A	500A	Ts3NQ040TW	
		50A	500A	Ts3NQ050TW	1,227
		60A	600A	Ts3NQ060TW	
		70A	700A	Ts3NQ070TW	
		80A	800A	Ts3NQ080TW	1,771
		90A	900A	Ts3NQ090TW	
		100A	1000A	Ts3NQ100TW	
		125A	1250A	Ts3NQ125TW	
		150A	1500A	Ts3NQ150TW	

Breaker	IC at 480VAC	Rating	Magnetic trip	3 pole catalog number	List price
Ts3HQ	50kA	15A	500A	Ts3HQ015TW	\$ 1,216
		20A	500A	Ts3HQ020TW	
		25A	500A	Ts3HQ025TW	
		30A	500A	Ts3HQ030TW	
		35A	500A	Ts3HQ035TW	
		40A	500A	Ts3HQ040TW	
		50A	500A	Ts3HQ050TW	1,386
		60A	600A	Ts3HQ060TW	
		70A	700A	Ts3HQ070TW	
		80A	800A	Ts3HQ080TW	3,006
		90A	900A	Ts3HQ090TW	
		100A	1000A	Ts3HQ100TW	
		125A	1250A	Ts3HQ125TW	
		150A	1500A	Ts3HQ150TW	

Breaker	IC at 480VAC	Rating	Magnetic trip	3 pole catalog number	List price
Ts3LQ	65kA	15A	500A	Ts3LQ015TW	\$ 1,965
		20A	500A	Ts3LQ020TW	
		25A	500A	Ts3LQ025TW	
		30A	500A	Ts3LQ030TW	
	85kA	35A	500A	Ts3LQ035TW	2,189
		40A	500A	Ts3LQ040TW	
		50A	500A	Ts3LQ050TW	
		60A	600A	Ts3LQ060TW	4,706
		70A	700A	Ts3LQ070TW	
		80A	800A	Ts3LQ080TW	
		90A	900A	Ts3LQ090TW	
		100A	1000A	Ts3LQ100TW	
		125A	1250A	Ts3LQ125TW	
		150A	1500A	Ts3LQ150TW	



Ts3

150/225A 600VAC

MCP/Molded case switch

Magnetic only (MCP)

Breaker	IC at 480VAC	Trip unit type	Rating	Adjustment range	3 pole 600VAC Catalog number	List Price
Ts3L	25	Magnetic only	3	12-36	Ts3L003MW	\$ 726
	25	Magnetic only	5	20-60	Ts3L005MW	726
	25	Magnetic only	10	40-120	Ts3L010MW	726
	25	Magnetic only	25	100-300	Ts3L025MW	726
	85	Magnetic only	50	200-600	Ts3L050MW	920
Ts3L	85	Magnetic only	100	400-1200	Ts3L100MW	1,095
	85	Magnetic only	125	500-1500	Ts3L125MW	1,448
	85	Magnetic only	150	600-1500	Ts3L150MW	1,448
	65	Magnetic only	175 ①	700-2100	Ts3L175MW	1,448
	65	Magnetic only	200 ①	800-2400	Ts3L200MW	1,517

Molded Case Switch ②

Type	IC at 480V (2)	Magnetic trip	Amps	3 pole 600V catalog number	List price
Ts3H	50	1500	150	Ts3H150DW	\$ 1,060
	50	2250	225 ①	Ts3H225DW	1,188

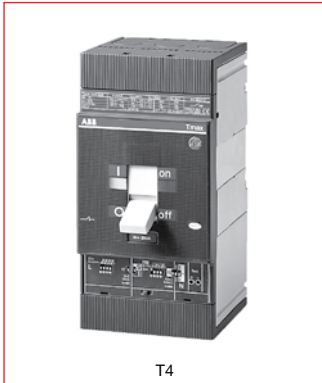
Note: For terminal connection options see page 16.43

① When protected by a OCPD with appropriate ratings.
 ② 480 VAC maximum

T4

250A, 600V Δ

Electronic and thermal magnetic



T4

Dimensions 3P Fixed Version 8.07H x 4.13W x 4.07D
Weight 6.18 (lbs)

General

The T4 breaker is a 250 amp frame with either a microprocessor based over current protective trip system or a thermal magnetic trip unit.

Standards

The UL489/CSA 22.2 version of T4 also carries an IEC-60947-2 rating.

Versions

To meet all application requirements, the T4 is available in the following versions:

- T = Thermal-magnetic
- B = Selectable & adjustable LI or LS
- C = Adjustable LSI
- E = Adjustable LSI^G
- D = Molded Case Switch
- E5 = Electronic instantaneous only (MCP)

Trip functions

These trip functions are available:

- L = Long time
- S = Short time
- I = Instantaneous
- G = Ground fault

Performance levels

Each version is also available in different maximum fault interrupting levels:

- N = Normal
- S = Standard
- H = High - UL Current Limiting
- L = Extra high
- V = Very high - UL Current Limiting

Number of poles ^③

The T4 is available in two, three and four pole versions. Estimate 4 pole pricing by adding 35% to the 3 pole price and contact your ABB sales person for details.

UL489 / CSA C22.2 Interrupting capacity (kA RMS)

Voltage	N	S	H	L	V
240VAC	65	100	150	200	200
480VAC	25	35	65	100	150
600VAC	18	25	35	65	100
500VDC ^①	25	35	50	65	100
600VDC ^②	16	25	35	50	65

IEC 60947-2 Interrupting capacity (kA RMS)

Voltage	N	S	H	L	V
230VAC	70	85	100	200	200
415VAC	36	50	70	120	200
690VAC	20	25	40	70	80
750VDC ^②	16	25	36	50	70

^① 2 poles in series.

^② 3 poles in series.

^③ 2 pole breakers available in N version only. 4 pole breakers available in N and H version only.



T4

250A, 600V Δ

Adjustable thermal magnetic

20A - 250A Frame

Breaker	IC at 480VAC	Rating	Magnetic trip	2 pole, 600VAC/600VDC catalog number	List price	3 pole, 600VAC/600VDC catalog number	List price
T4N	25	125A	625-1250	T4N125TW-2	\$ 1,584	T4N125TW	\$ 1,667
		150A	750-1500	T4N150TW-2		T4N150TW	
		200A	1000-2000	T4N200TW-2		T4N200TW	
		250A	1250-2500	T4N250TW-2	1,631	T4N250TW	1,717
T4S	35	125A	625-1250	-	-	T4S125TW	2,067
		150A	750-1500	-	-	T4S150TW	
		200A	1000-2000	-	-	T4S200TW	
		250A	1250-2500	-	-	T4S250TW	
T4H UL Current Limiting	65	125A	625-1250	-	-	T4H125TW	3,767
		150A	750-1500	-	-	T4H150TW	
		200A	1000-2000	-	-	T4H200TW	
		250A	1250-2500	-	-	T4H250TW	
T4L	100	125A	625-1250	-	-	T4L125TW	5,995
		150A	750-1500	-	-	T4L150TW	
		200A	1000-2000	-	-	T4L200TW	
		250A	1250-2500	-	-	T4L250TW	
T4V UL Current Limiting	150	125A	625-1250	-	-	T4V125TW	6,847
		150A	750-1500	-	-	T4V150TW	
		200A	1000-2000	-	-	T4V200TW	
		250A	1250-2500	-	-	T4V250TW	

T4

250A, 600V Δ 100% rated

Adjustable thermal magnetic



30A - 250A Frame 100% rated

Breaker	IC at 480 VAC kA	Rating	Magnetic trip	3 pole, 600VAC/600VDC Catalog number	List price
T4N	25	125A	625-1250	T4NQ125TW	\$ 1,839
		150A	750-1500	T4NQ150TW	
		200A	1000-2000	T4NQ200TW	
		250A	1250-2500	T4NQ250TW	
T4S	35	125A	625-1250	T4SQ125TW	2,280
		150A	750-1500	T4SQ150TW	
		200A	1000-2000	T4SQ200TW	
		250A	1250-2500	T4SQ250TW	
T4H UL Current Limiting	65	125A	625-1250	T4HQ125TW	4,155
		150A	750-1500	T4HQ150TW	
		200A	1000-2000	T4HQ200TW	
		250A	1250-2500	T4HQ250TW	
T4L	100	125A	625-1250	T4LQ125TW	6,612
		150A	750-1500	T4LQ150TW	
		200A	1000-2000	T4LQ200TW	
		250A	1250-2500	T4LQ250TW	
T4V UL Current Limiting	150	125A	625-1250	T4VQ125TW	7,552
		150A	750-1500	T4VQ150TW	
		200A	1000-2000	T4VQ200TW	
		250A	1250-2500	T4VQ250TW	

T4 250A, 600V Δ Electronic (AC only)

100A Frame, electronic trip unit (AC only)

Breaker	IC at 480VAC kA	Trip Unit	2 pole, 600V catalog number	List price	3 pole, 600V catalog number	List price
T4N	25	PR221 LS/I	T4N100BW-2	\$ 1,808	T4N100BW	\$ 1,903
		PR222 LSI	T4N100CW-2	2,413	T4N100CW	2,540
		PR222 LSIG	T4N100EW-2	3,164	T4N100EW	3,330
T4S	35	PR221 LS/I	-	-	T4S100BW	2,370
		PR222 LSI	-	-	T4S100CW	3,164
		PR222 LSIG	-	-	T4S100EW	4,148
T4H UL Current Limiting	65	PR221 LS/I	-	-	T4H100BW	4,498
		PR222 LSI	-	-	T4H100CW	4,845
		PR222 LSIG	-	-	T4H100EW	5,877
T4L	100	PR221 LS/I	-	-	T4L100BW	5,954
		PR222 LSI	-	-	T4L100CW	6,063
		PR222 LSIG	-	-	T4L100EW	7,091
T4V UL Current Limiting	150	PR221 LS/I	-	-	T4V100BW	8,555
		PR222 LSI	-	-	T4V100CW	9,213
		PR222 LSIG	-	-	T4V100EW	9,957

150A Frame, electronic trip unit (AC only)

Breaker	IC at 480VAC kA	Trip Unit	2 pole, 600V catalog number	List price	3 pole, 600V catalog number	List price
T4N	25	PR221 LS/I	T4N150BW-2	\$ 1,948	T4N150BW	\$ 2,050
		PR222 LSI	T4N150CW-2	2,600	T4N150CW	2,737
		PR222 LSIG	T4N150EW-2	3,409	T4N150EW	3,588
T4S	35	PR221 LS/I	-	-	T4S150BW	2,542
		PR222 LSI	-	-	T4S150CW	3,394
		PR222 LSIG	-	-	T4S150EW	4,449
T4H UL Current Limiting	65	PR221 LS/I	-	-	T4H150BW	4,633
		PR222 LSI	-	-	T4H150CW	5,024
		PR222 LSIG	-	-	T4H150EW	6,094
T4L	100	PR221 LS/I	-	-	T4L150BW	6,174
		PR222 LSI	-	-	T4L150CW	6,288
		PR222 LSIG	-	-	T4L150EW	7,354
T4V UL Current Limiting	150	PR221 LS/I	-	-	T4V150BW	8,872
		PR222 LSI	-	-	T4V150CW	9,555
		PR222 LSIG	-	-	T4V150EW	10,326

250A Frame, electronic trip unit (AC only)

Breaker	IC at 480VAC kA	Trip Unit	2 pole, 600V catalog number	List price	3 pole, 600V catalog number	List price
T4N	25	PR221 LS/I	T4N250BW-2	\$ 2,006	T4N250BW	\$ 2,112
		PR222 LSI	T4N250CW-2	2,678	T4N250CW	2,819
		PR222 LSIG	T4N250EW-2	3,511	T4N250EW	3,696
T4S	35	PR221 LS/I	-	-	T4S250BW	2,573
		PR222 LSI	-	-	T4S250CW	3,435
		PR222 LSIG	-	-	T4S250EW	4,503
T4H UL Current Limiting	65	PR221 LS/I	-	-	T4H250BW	4,713
		PR222 LSI	-	-	T4H250CW	5,127
		PR222 LSIG	-	-	T4H250EW	6,219
T4L	100	PR221 LS/I	-	-	T4L250BW	6,300
		PR222 LSI	-	-	T4L250CW	6,416
		PR222 LSIG	-	-	T4L250EW	7,504
T4V UL Current Limiting	150	PR221 LS/I	-	-	T4V250BW	9,053
		PR222 LSI	-	-	T4V250CW	9,750
		PR222 LSIG	-	-	T4V250EW	10,537

T4

250A, 600V Δ, 100% Rated Electronic (AC only)



100A Frame - 100% rated, electronic trip unit (AC only)

Breaker	IC at 480VAC kA	Trip Unit	3 pole, 600V catalog number	List price
T4N	25	PR221 LS/I	T4NQ100BW	\$ 2,124
		PR222 LSI	T4NQ100CW	2,835
		PR222 LSIg	T4NQ100EW	3,716
T4S	35	PR221 LS/I	T4SQ100BW	2,645
		PR222 LSI	T4SQ100CW	3,531
		PR222 LSIg	T4SQ100EW	4,629
T4H UL Current Limiting	65	PR221 LS/I	T4HQ100BW	5,020
		PR222 LSI	T4HQ100CW	5,383
		PR222 LSIg	T4HQ100EW	6,530
T4L	100	PR221 LS/I	T4LQ100BW	6,616
		PR222 LSI	T4LQ100CW	6,737
		PR222 LSIg	T4LQ100EW	7,879
T4V UL Current Limiting	150	PR221 LS/I	T4VQ100BW	9,506
		PR222 LSI	T4VQ100CW	10,237
		PR222 LSIg	T4VQ100EW	11,063

150A Frame - 100% rated, electronic trip unit (AC only)

Breaker	IC at 480VAC kA	Trip Unit	3 pole, 600V catalog number	List price
T4N	25	PR221 LS/I	T4NQ150BW	\$ 2,288
		PR222 LSI	T4NQ150CW	3,055
		PR222 LSIg	T4NQ150EW	4,004
T4S	35	PR221 LS/I	T4SQ150BW	2,837
		PR222 LSI	T4SQ150CW	3,788
		PR222 LSIg	T4SQ150EW	4,965
T4H UL Current Limiting	65	PR221 LS/I	T4HQ150BW	5,171
		PR222 LSI	T4HQ150CW	5,582
		PR222 LSIg	T4HQ150EW	6,771
T4L	100	PR221 LS/I	T4LQ150BW	6,860
		PR222 LSI	T4LQ150CW	6,987
		PR222 LSIg	T4LQ150EW	8,171
T4V UL Current Limiting	150	PR221 LS/I	T4VQ150BW	9,858
		PR222 LSI	T4VQ150CW	10,616
		PR222 LSIg	T4VQ150EW	11,473

250A Frame - 100% rated, electronic trip unit (AC only)

Breaker	IC at 480VAC kA	Trip Unit	3 pole, 600V catalog number	List price
T4N	25	PR221 LS/I	T4NQ250BW	\$ 2,357
		PR222 LSI	T4NQ250CW	3,146
		PR222 LSIg	T4NQ250EW	4,125
T4S	35	PR221 LS/I	T4SQ250BW	2,872
		PR222 LSI	T4SQ250CW	3,788
		PR222 LSIg	T4SQ250EW	5,025
T4H UL Current Limiting	65	PR221 LS/I	T4HQ250BW	5,260
		PR222 LSI	T4HQ250CW	5,697
		PR222 LSIg	T4HQ250EW	6,910
T4L	100	PR221 LS/I	T4LQ250BW	7,000
		PR222 LSI	T4LQ250CW	7,129
		PR222 LSIg	T4LQ250EW	8,338
T4V UL Current Limiting	150	PR221 LS/I	T4VQ250BW	10,058
		PR222 LSI	T4VQ250CW	10,833
		PR222 LSIg	T4VQ250EW	11,708



T4

250A, 600V Δ

Instantaneous only, MCP/Molded case switch

Instantaneous only MCPs

T4 - 250A Frame magnetic only (MCP - AC only)

Breaker	IC at 480VAC	Trip unit type	Rating	Adjustment range	3 pole, 600VAC Catalog number	List price
T4N	25kA	Instantaneous only	100A	100-1000	T4N100E5W	\$ 1,808
			150A	150-1500	T4N150E5W	1,948
			250A	250-2500	T4N250E5W	2,006
T4S	35kA	Instantaneous only	100A	100-1000	T4S100E5W	2,252
			150A	150-1500	T4S150E5W	2,415
			250A	250-2500	T4S250E5W	2,444
T4H	65kA	Instantaneous only	100A	100-1000	T4H100E5W	4,273
			150A	150-1500	T4H150E5W	4,401
			250A	250-2500	T4H250E5W	4,477
T4L	100kA	Instantaneous only	100A	100-1000	T4L100E5W	5,656
			150A	150-1500	T4L150E5W	5,865
			250A	250-2500	T4L250E5W	5,985

Molded case switch ①

Type	IC at 480VAC	Amps	Magnetic trip	3 pole 600V catalog number	List price
T4N-D	25kA	250	3000	T4N250DW	\$ 1,354
T4S-D	35kA	250	3000	T4S250DW	1,510
T4H-D	65kA	250	3000	T4H250DW	2,154
T4L-D	100kA	250	3000	T4L250DW	3,419
T4V-D	150kA	250	3000	T4V250DW	3,842

NOTE: For terminal connection options, see page 16.43.

① When protected by a OCPD with appropriate ratings.

T5

400/600A, 600V Δ

Electronic and thermal magnetic



T5

Dimensions 3P Fixed Version 8.07H x 5.51W x 4.07D
Weight 8.55 (lbs)

General

The T5 breaker is a 400/600 amp frame with either a microprocessor based over current protective trip system or a thermal magnetic trip unit. ③

Standards

The UL489/CSA 22.2 version of T5 also carries an IEC-60947-2 rating.

Versions

To meet all application requirements, the T5 is available in the following versions:

- T = Thermal-magnetic
- B = Selectable & adjustable LI or LS
- C = Adjustable LSI
- E = Adjustable LSI^G
- D = Molded Case Switch
- E5 = Electronic instantaneous only (MCP)

Trip functions

These trip functions are available:

- L = Long time
- S = Short time
- I = Instantaneous
- G = Ground fault

Performance levels

Each version is also available in different maximum fault interrupting levels:

- N = Normal
- S = Standard
- H = High - UL Current Limiting
- L = Extra high
- V = Very high - UL Current Limiting

Number of poles ④

The T5 is available in two, three and four pole versions. Estimate 4 pole pricing by adding 35% to the 3 pole price and contact your ABB sales person for details.

UL489 / CSA C22.2 Interrupting capacity (kA RMS)

Voltage	N	S	H	L	V
240VAC	65	100	150	200	200
480VAC	25	35	65	100	150
600VAC	18	25	35	65	100
500VDC ①	25	35	50	65	100
600VDC ②	16	25	35	50	65

IEC 60947-2 Interrupting capacity (kA RMS)

Voltage	N	S	H	L	V
230VAC	70	85	100	200	200
415VAC	36	50	70	120	200
690VAC	20	25	40	70	80
750VDC	16	25	36	50	70

① 2 poles in series.
 ② 3 poles in series.
 ③ T5 600A not available with thermal magnetic trip unit.
 ④ 2 pole available in N version only. 4 pole available in N and H version only.



T5

400/600A, 600V Δ

Thermal magnetic ①

300A - 400A Frames - thermal-magnetic trip units

Breaker	IC at 480VAC kA	Rating	Magnetic trip	2 pole, 600VAC/600VDC catalog number	List price	3 pole, 600VAC/600VDC catalog number	List price
T5N	25	300A 400A	1500-3000 2000-4000	T5N300TW-2 T5N400TW-2	\$ 2,481	T5N300TW T5N400TW	\$ 2,612
T5S	35	300A 400A	1500-3000 2000-4000	-	-	T5S300TW T5S400TW	2,880
T5H UL Current Limiting	65	300A 400A	1500-3000 2000-4000	-	-	T5H300TW T5H400TW	4,950
T5L	100	300A 400A	1500-3000 2000-4000	-	-	T5L300TW T5L400TW	6,400
T5V UL Current Limiting	150	300A 400A	1500-3000 2000-4000	-	-	T5V300TW T5V400TW	9,873

300A - 400A Frames - 100% rated, thermal-magnetic

Breaker	IC at 480VAC	Rating	Magnetic trip	3 pole, 600VAC/600VDC Catalog number	List price
T5N	25	300A 400A	1500-3000 2000-4000	T5NQ300TW T5NQ400TW	\$ 2,888
T5S	35	300A 400A	1500-3000 2000-4000	T5SQ300TW T5SQ400TW	3,185
T5H UL Current Limiting	65	300A 400A	1500-3000 2000-4000	T5HQ300TW T5HQ400TW	5,475
T5L	100	300A 400A	1500-3000 2000-4000	T5LQ300TW T5LQ400TW	7,078
T5V UL Current Limiting	150	300A 400A	1500-3000 2000-4000	T5VQ300TW T5VQ400TW	10,920

① T5 600A not available with Thermal Magnetic trip unit.

T5

400/600A, 600V Δ

Electronic (AC only)



300A Frame, electronic trip unit (AC only)

Breaker	IC at 480VAC kA	Trip Unit	2 pole, 600V catalog number	List price	3 pole, 600V catalog number	List price
T5N	25	PR221 LS/I	T5N300BW-2	\$ 3,097	T5N300BW	\$ 3,260
		PR222 LSI	T5N300CW-2	3,672	T5N300CW	3,865
		PR222 LSIG	T5N300EW-2	4,717	T5N300EW	4,965
T5S	35	PR221 LS/I	-	-	T5S300BW	3,350
		PR222 LSI	-	-	T5S300CW	3,945
		PR222 LSIG	-	-	T5S300EW	5,138
T5H UL Current Limiting	65	PR221 LS/I	-	-	T5H300BW	5,395
		PR222 LSI	-	-	T5H300CW	5,893
		PR222 LSIG	-	-	T5H300EW	7,148
T5L	100	PR221 LS/I	-	-	T5L300BW	6,860
		PR222 LSI	-	-	T5L300CW	7,375
		PR222 LSIG	-	-	T5L300EW	8,625
T5V UL Current Limiting	150	PR221 LS/I	-	-	T5V300BW	10,406
		PR222 LSI	-	-	T5V300CW	11,206
		PR222 LSIG	-	-	T5V300EW	12,111

400A Frame, electronic trip unit (AC only)

Breaker	IC at 480VAC kA	Trip Unit	2 pole, 600V catalog number	List price	3 pole, 600V catalog number	List price
T5N	25	PR221 LS/I	T5N400BW-2	\$ 3,097	T5N400BW	\$ 3,260
		PR222 LSI	T5N400CW-2	3,672	T5N400CW	3,865
		PR222 LSIG	T5N400EW-2	4,717	T5N400EW	4,965
T5S	35	PR221 LS/I	-	-	T5S400BW	3,350
		PR222 LSI	-	-	T5S400CW	3,945
		PR222 LSIG	-	-	T5S400EW	5,138
T5H UL Current Limiting	65	PR221 LS/I	-	-	T5H400BW	5,395
		PR222 LSI	-	-	T5H400CW	5,893
		PR222 LSIG	-	-	T5H400EW	7,148
T5L	100	PR221 LS/I	-	-	T5L400BW	6,860
		PR222 LSI	-	-	T5L400CW	7,375
		PR222 LSIG	-	-	T5L400EW	8,625
T5V UL Current Limiting	150	PR221 LS/I	-	-	T5V400BW	10,406
		PR222 LSI	-	-	T5V400CW	11,206
		PR222 LSIG	-	-	T5V400EW	12,111

600A Frame, electronic trip unit (AC only) ①

Breaker	IC at 480VAC kA	Trip Unit	3 pole, 600V catalog number	List price
T5N	25	PR221 LS/I	T5N600BW	\$ 5,750
		PR222 LSI	T5N600CW	6,460
		PR222 LSIG	T5N600EW	8,360
T5S	35	PR221 LS/I	T5S600BW	5,910
		PR222 LSI	T5S600CW	6,595
		PR222 LSIG	T5S600EW	8,645
T5H	65	PR221 LS/I	T5H600BW	8,170
		PR222 LSI	T5H600CW	8,805
		PR222 LSIG	T5H600EW	10,890
T5L	100	PR221 LS/I	T5L600BW	9,860
		PR222 LSI	T5L600CW	10,440
		PR222 LSIG	T5L600EW	12,630
T5V	150	PR221 LS/I	T5V600BW	13,550
		PR222 LSI	T5V600CW	14,375
		PR222 LSIG	T5V600EW	16,350

① T5 600A not available in 2 pole version.



T5

400/600A, 600V Δ, 100% Rated ①

Electronic (AC only)

300A Frame – 100% rated, electronic trip units (AC only)

Breaker	IC at 480VAC kA	Trip Unit	3 pole, 600V catalog number	List price
T5N	25	PR221 LS/I	T5NQ300BW	\$ 3,628
		PR222 LSI	T5NQ300CW	4,302
		PR222 LSI G	T5NQ300EW	5,526
T5S	35	PR221 LS/I	T5SQ300BW	3,729
		PR222 LSI	T5SQ300CW	4,391
		PR222 LSI G	T5SQ300EW	5,719
T5H UL Current limiting	65	PR221 LS/I	T5HQ300BW	6,005
		PR222 LSI	T5HQ300CW	6,559
		PR222 LSI G	T5HQ300EW	7,956
T5L	100	PR221 LS/I	T5LQ300BW	7,635
		PR222 LSI	T5LQ300CW	8,208
		PR222 LSI G	T5LQ300EW	9,600
T5V UL Current limiting	150	PR221 LS/I	T5VQ300BW	11,582
		PR222 LSI	T5VQ300CW	12,473
		PR222 LSI G	T5VQ300EW	13,480

400A Frame – 100% rated, electronic trip units (AC only)

Breaker	IC at 480VAC kA	Trip Unit	3 pole, 600V catalog number	List price
T5N	25	PR221 LS/I	T5NQ400BW	\$ 3,628
		PR222 LSI	T5NQ400CW	4,302
		PR222 LSI G	T5NQ400EW	5,526
T5S	35	PR221 LS/I	T5SQ400BW	3,729
		PR222 LSI	T5SQ400CW	4,391
		PR222 LSI G	T5SQ400EW	5,719
T5H UL Current limiting	65	PR221 LS/I	T5HQ400BW	6,005
		PR222 LSI	T5HQ400CW	6,559
		PR222 LSI G	T5HQ400EW	7,956
T5L	100	PR221 LS/I	T5LQ400BW	7,635
		PR222 LSI	T5LQ400CW	8,208
		PR222 LSI G	T5LQ400EW	9,600
T5V UL Current limiting	150	PR221 LS/I	T5VQ400BW	11,582
		PR222 LSI	T5VQ400CW	12,473
		PR222 LSI G	T5VQ400EW	13,480

① T5 600A not available in 100% rated frame.

T5

400/600A, 600V Δ

Instantaneous only, MCP/Molded case switch



T5 - 400A Frame, magnetic only (MCP - AC only)

Breaker	IC at 480VAC	Trip unit type	Rating	Adjustment range	3 pole, 600VAC Catalog number	List price
T5N	25kA	Instantaneous only	300A 400A	300-3000 400-4000	T5N300E5W T5N400E5W	\$ 3,097
T5S	35kA	Instantaneous only	300A 400A	300-3000 400-4000	T5S300E5W T5S400E5W	3,183
T5H	65kA	Instantaneous only	300A 400A	300-3000 400-4000	T5H300E5W T5H400E5W	5,125
T5L	100kA	Instantaneous only	300A 400A	300-3000 400-4000	T5L300E5W T5L400E5W	6,517

T5 - 600A Frame, magnetic only (MCP - AC only)

Breaker	IC at 480VAC	Trip unit type	Rating	Adjustment range	3 pole, 600VAC Catalog number	List price
T5N	25kA	Instantaneous only	600A	600-6000	T5N600E5W	\$ 5,615
T5S	35kA	Instantaneous only	600A	600-6000	T5S600E5W	5,770
T5H	65kA	Instantaneous only	600A	600-6000	T5H600E5W	7,761
T5L	100kA	Instantaneous only	600A	600-6000	T5L600E5W	9,370

Molded case switch ①

Type	IC at 480VAC	Amps	Magnetic trip	3 pole 600V catalog number	List price
T5N-D	25kA	400	5000	T5N400DW	\$ 2,393
T5S-D	35kA	400	5000	T5S400DW	2,659
T5H-D	65kA	400	5000	T5H400DW	4,585
T5L-D	100kA	400	5000	T5L400DW	5,878
T5V-D	150kA	400	5000	T5V400DW	7,536
T5N-D	25kA	600	6000	T5N600DW	3,419
T5S-D	35kA	600	6000	T5S600DW	3,799
T5H-D	65kA	600	6000	T5H600DW	6,550
T5L-D	100kA	600	6000	T5L600DW	8,350
T5V-D	150kA	600	6000	T5V600DW	11,575

Note: For terminal connection options see page 16.43.

① When protected by a OCPD with appropriate ratings.

T6

600A, 800A, 600V Δ

Thermal magnetic and electronic



Dimensions 3P Fixed Version 10.55H x 8.26W x 4.07D
Weight 20.9 (lbs)

General

The T6 breaker is an 800 amp frame with either a microprocessor based over current protective trip system or a thermal magnetic trip unit. The T6 is available as a 600 or 800A frame.

Standards

The UL489/CSA 22.2 version of T6 also carries an IEC-60947-2 rating.

Versions

To meet all application requirements, the T6 is available in the following versions:

- T = Thermal-magnetic, fixed
- B = Selectable & adjustable LI or LS
- C = Adjustable LSI
- E = Adjustable LSIG
- D = Molded Case Switch
- E5 = Electronic instantaneous only (MCP)

Trip functions

These trip functions are available:

- L = Long time
- S = Short time
- I = Instantaneous
- G = Ground fault

Performance levels

Each version is also available in different maximum fault interrupting levels:

- N = Normal
- S = Standard
- H = High
- L = Extra high

Number of poles ^③

The T6 is available as a 3 and 4 pole breaker. Estimate 4 pole pricing by adding 35% to the 3 pole price and contact your ABB sales person for details.

UL489 / CSA C22.2 Interrupting capacity (kA RMS)

Voltage	N	S	H	L
240VAC	65	100	200	200
480VAC	35	50	65	100
600VAC	20	25	35	42
500VDC ^①	35	35	50	65
600VDC ^②	20	20	35	50

IEC 60947-2 Interrupting capacity (kA RMS)

Voltage	N	S	H	L
230VAC	70	85	100	200
415VAC	36	50	70	100
600VAC	20	22	25	30
750VDC ^②	16	20	36	50

^① 2 poles in series.

^② 3 poles in series.

^③ 4 pole available N and H version only.

T6

600A, 800A, 600V Δ

Thermal magnetic and electronic



T6

600A, 800A, 600V

Thermal Magnetic Trip Units

Breaker	IC at 480 VAC kA	Rating	Magnetic trip	3 pole, 600VAC/600VDC catalog number	List price
T6N	35	600A	3000 - 6000A	T6N600TW	\$ 6,700
		800A	4000 - 8000A	T6N800TW	7,400
T6S	50	600A	3000 - 6000A	T6S600TW	7,100
		800A	4000 - 8000A	T6S800TW	7,800
T6H	65	600A	3000 - 6000A	T6H600TW	7,300
		800A	4000 - 8000A	T6H800TW	8,050
T6L	100	600A	3000 - 6000A	T6L600TW	9,300
		800A	4000 - 8000A	T6L800TW	9,968

T6

600A, 800A, 600V

Thermal Magnetic Trip Units 100% rated

Breaker	IC at 480 VAC kA	Rating	Magnetic trip	3 pole, 600VAC/600VDC catalog number	List price
T6N	35	600A	3000 - 6000A	T6NQ600TW	\$ 7,370
		800A	4000 - 8000A	T6NQ800TW	8,140
T6S	50	600A	3000 - 6000A	T6SQ600TW	7,810
		800A	4000 - 8000A	T6SQ800TW	8,580
T6H	65	600A	3000 - 6000A	T6HQ600TW	8,030
		800A	4000 - 8000A	T6HQ800TW	8,855
T6L	100	600A	3000 - 6000A	T6LQ600TW	10,230
		800A	4000 - 8000A	T6LQ800TW	10,965

T6

600A, 600V

Electronic Trip Units

Breaker	IC at 480VAC	Trip type	Adjustment	3 pole, 600VAC catalog number	List price
T6N	35	PR221	LS/I	T6N600BW	\$ 6,900
		PR222	LSI	T6N600CW	6,560
		PR222	LSIG	T6N600EW	8,400
T6S	50	PR221	LS/I	T6S600BW	7,300
		PR222	LSI	T6S600CW	7,800
		PR222	LSIG	T6S600EW	8,800
T6H	65	PR221	LS/I	T6H600BW	7,550
		PR222	LSI	T6H600CW	8,050
		PR222	LSIG	T6H600EW	9,050
T6L	100	PR221	LS/I	T6L600BW	9,550
		PR222	LSI	T6L600CW	10,425
		PR222	LSIG	T6L600EW	11,557

T6

800A, 600V

Electronic Trip Units

Breaker	IC at 480VAC	Trip type	Adjustment	3 pole, 600VAC catalog number	List price
T6N	35	PR221	LS/I	T6N800BW	\$ 8,100
		PR222	LSI	T6N800CW	8,600
		PR222	LSIG	T6N800EW	10,600
T6S	50	PR221	LS/I	T6S800BW	9,100
		PR222	LSI	T6S800CW	9,600
		PR222	LSIG	T6S800EW	11,600
T6H	65	PR221	LS/I	T6H800BW	9,300
		PR222	LSI	T6H800CW	9,800
		PR222	LSIG	T6H800EW	11,800
T6L	100	PR221	LS/I	T6L800BW	10,965
		PR222	LSI	T6L800CW	11,465
		PR222	LSIG	T6L800EW	13,465



T6

600A, 800A, 600V Δ

Thermal magnetic and electronic

T6 600A, 600V Δ

Electronic Trip Units 100% Rated

Breaker	IC at 480VAC	Trip type	Adjustment	3 pole, 600VAC catalog number	List price
T6N	35	PR221	LS/I	T6NQ600BW	\$ 6,496
		PR222	LSI	T6NQ600CW	7,216
		PR222	LSIG	T6NQ600EW	9,240
T6S	50	PR221	LS/I	T6SQ600BW	8,030
		PR222	LSI	T6SQ600CW	8,580
		PR222	LSIG	T6SQ600EW	9,680
T6H	65	PR221	LS/I	T6HQ600BW	10,230
		PR222	LSI	T6HQ600CW	10,780
		PR222	LSIG	T6HQ600EW	12,980
T6L	100	PR221	LS/I	T6LQ600BW	10,505
		PR222	LSI	T6LQ600CW	11,605
		PR222	LSIG	T6LQ600EW	12,713

T6 800A, 600V

Electronic Trip Units 100% Rated

Breaker	IC at 480VAC	Trip type	Adjustment	3 pole, 600VAC catalog number	List price
T6N	35	PR221	LS/I	T6NQ800BW	\$ 8,910
		PR222	LSI	T6NQ800CW	9,460
		PR222	LSIG	T6NQ800EW	11,660
T6S	50	PR221	LS/I	T6SQ800BW	10,010
		PR222	LSI	T6SQ800CW	10,560
		PR222	LSIG	T6SQ800EW	12,760
T6H	65	PR221	LS/I	T6HQ800BW	8,305
		PR222	LSI	T6HQ800CW	10,667
		PR222	LSIG	T6HQ800EW	11,667
T6L	100	PR221	LS/I	T6LQ800BW	12,062
		PR222	LSI	T6LQ800CW	12,612
		PR222	LSIG	T6LQ800EW	14,812

T6 600A, 600V Δ

Electronic Trip Units Instantaneous Only

Breaker	IC at 480VAC	kA	Trip type	Adjustment Range	3 pole, 600VAC catalog number	List price
T6N	35		PR221	600-6000	T6N600E5W	\$ 5,929
T6S	50		PR221	600-6000	T6S600E5W	6,407
T6H	65		PR221	600-6000	T6H600E5W	6,623
T6L	100		PR221	600-6000	T6L600E5W	8,635

16

T6 800A, 600V

Electronic Trip Units Instantaneous Only

Breaker	IC at 480VAC	kA	Trip type	Adjustment Range	3 pole, 600VAC catalog number	List price
T6N	35		PR221	800-8000	T6N800E5W	\$ 6,254
T6S	50		PR221	800-8000	T6S800E5W	6,733
T6H	65		PR221	800-8000	T6H800E5W	6,948
T6L	100		PR221	800-8000	T6L800E5W	8,961

T6 800A, 600V Molded Case Switch

Breaker	IC at 480VAC ①	Amp	Magnetic Trip	3 pole, 600VAC catalog number	List price
T6H	65	800	10,000	T6H800DW	\$ 4,824

Note: For terminal connection options see page 16.43

① When protected by a OCPD with appropriate ratings.

T7

1000A, 1200A, 600V Δ

Electronic



T7

Dimensions 3P Fixed Version 10.55H x 8.26W x 6.06D
Weight 21.4 (lbs)

General

The T7 breaker is a 1200 amp frame with a microprocessor based over current protective trip system.

Standards

The UL489/CSA 22.2 version of T7 also carries an IEC-60947-2 rating.

Versions

To meet all application requirements, the T7 is available in the following versions:

- B = Selectable & adjustable LI or LS
- C = Adjustable LSI
- E = Adjustable LSIG
- D = Molded Case Switch
- P = LI
- R = LSI
- S = LSIG

Trip functions

These trip functions are available:

- L = Long time
- S = Short time
- I = Instantaneous
- G = Ground fault

Performance levels

Each version is also available in different maximum fault interrupting levels:

- S = Standard
- H = High
- L = Extra high

Number of poles ①

The T7 is available as a 3 and 4 pole breaker. Estimate 4 pole pricing by adding 35% to the 3 pole price and contact your ABB sales person for details.

UL489 / CSA C22.2 Interrupting capacity (kA RMS)

Voltage	S	H	L
240VAC	65	100	150
480VAC	50	65	100
600VAC	25	50	65

IEC 60947-2 Interrupting capacity (kA RMS)

Voltage	S	H	L
230VAC	85	100	200
415VAC	50	70	120
690VAC	30	42	50

① 4 Pole available S, H and L version.

T7

1000A, 1200A, 600V Δ

Electronic

T7S, 1000A, 600V

Electronic

Breaker	IC at 480VAC	kA	Trip type	Adjustment	3 pole, 600VAC catalog number	List price
T7S	50		PR231/P	LS/I	T7S1000BW	\$ 9,803
			PR232/P	LSI	T7S1000CW	10,303
			PR331/P	LSIG	T7S1000EW	12,303
			PR332/P	LI	T7S1000PW	10,362
			PR332/P	LSI	T7S1000RW	11,362
			PR332/P	LSIG	T7S1000SW	12,606

T7S, 1200A, 600V

Electronic

Breaker	IC at 480VAC	kA	Trip type	Adjustment	3 pole, 600VAC catalog number	List price
T7S	50		PR231/P	LS/I	T7S1200BW	\$ 13,235
			PR232/P	LSI	T7S1200CW	13,451
			PR331/P	LSIG	T7S1200EW	14,063
			PR332/P	LI	T7S1200PW	13,792
			PR332/P	LSI	T7S1200RW	14,790
			PR332/P	LSIG	T7S1200SW	16,036

T7H, 1000A, 600V

Electronic

Breaker	IC at 480VAC	kA	Trip type	Adjustment	3 pole, 600VAC catalog number	List price
T7H	65		PR231/P	LS/I	T7H1000BW	\$ 11,937
			PR232/P	LSI	T7H1000CW	12,197
			PR331/P	LSIG	T7H1000EW	19,120
			PR332/P	LI	T7H1000PW	12,589
			PR332/P	LSI	T7H1000RW	13,739
			PR332/P	LSIG	T7H1000SW	15,170

T7H, 1200A, 600V

Electronic

Breaker	IC at 480VAC	kA	Trip type	Adjustment	3 pole, 600VAC catalog number	List price
T7H	65		PR231/P	LS/I	T7H1200BW	\$ 14,025
			PR232/P	LSI	T7H1200CW	14,252
			PR331/P	LSIG	T7H1200EW	15,924
			PR332/P	LI	T7H1200PW	14,593
			PR332/P	LSI	T7H1200RW	15,591
			PR332/P	LSIG	T7H1200SW	16,837

16

T7L, 1000A, 600V

Electronic

Breaker	IC at 480VAC	kA	Trip type	Adjustment	3 pole, 600VAC catalog number	List price
T7L	100		PR231/P	LS/I	T7L1000BW	\$ 10,965
			PR232/P	LSI	T7L1000CW	11,191
			PR331/P	LSIG	T7L1000EW	12,863
			PR332/P	LI	T7L1000PW	11,532
			PR332/P	LSI	T7L1000RW	12,532
			PR332/P	LSIG	T7L1000SW	13,776

T7L, 1200A, 600V

Electronic

Breaker	IC at 480VAC	kA	Trip type	Adjustment	3 pole, 600VAC catalog number	List price
T7L	100		PR231/P	LS/I	T7L1200BW	\$ 14,826
			PR232/P	LSI	T7L1200CW	15,053
			PR331/P	LSIG	T7L1200EW	16,725
			PR332/P	LI	T7L1200PW	15,394
			PR332/P	LSI	T7L1200RW	16,393
			PR332/P	LSIG	T7L1200SW	17,638

T7

1000A, 1200A, 600V Δ

Electronic, 100% rated

T7S, 1000A, 600V

Electronic, 100% rated

Breaker	IC at 480VAC	kA	Trip type	Adjustment	3 pole, 600VAC catalog number	List price
T7S	50		PR231/P	LS/I	T7SQ1000BW	\$ 10,783
			PR232/P	LSI	T7SQ1000CW	11,333
			PR331/P	LSIG	T7SQ1000EW	13,533
			PR332/P	LI	T7SQ1000PW	11,398
			PR332/P	LSI	T7SQ1000RW	12,498
			PR332/P	LSIG	T7SQ1000SW	13,867

T7S, 1200A, 600V

Electronic, 100% rated

Breaker	IC at 480VAC	kA	Trip type	Adjustment	3 pole, 600VAC catalog number	List price
T7S	50		PR231/P	LS/I	T7SQ1200BW	\$ 14,559
			PR232/P	LSI	T7SQ1200CW	14,769
			PR331/P	LSIG	T7SQ1200EW	15,469
			PR332/P	LI	T7SQ1200PW	15,171
			PR332/P	LSI	T7SQ1200RW	16,269
			PR332/P	LSIG	T7SQ1200SW	17,640

T7H, 1000A, 600V

Electronic, 100% rated

Breaker	IC at 480VAC	kA	Trip type	Adjustment	3 pole, 600VAC catalog number	List price
T7H	65		PR231/P	LS/I	T7HQ1000BW	\$ 13,131
			PR232/P	LSI	T7HQ1000CW	13,417
			PR331/P	LSIG	T7HQ1000EW	15,532
			PR332/P	LI	T7HQ1000PW	13,848
			PR332/P	LSI	T7HQ1000RW	15,113
			PR332/P	LSIG	T7HQ1000SW	16,687

T7H, 1200A, 600V

Electronic, 100% rated

Breaker	IC at 480VAC	kA	Trip type	Adjustment	3 pole, 600VAC catalog number	List price
T7H	65		PR231/P	LS/I	T7HQ1200BW	\$ 15,428
			PR232/P	LSI	T7HQ1200CW	15,677
			PR331/P	LSIG	T7HQ1200EW	17,516
			PR332/P	LI	T7HQ1200PW	16,052
			PR332/P	LSI	T7HQ1200RW	17,150
			PR332/P	LSIG	T7HQ1200SW	18,521

T7L, 1000A, 600V

Electronic, 100% rated

Breaker	IC at 480VAC	kA	Trip type	Adjustment	3 pole, 600VAC catalog number	List price
T7L	100		PR231/P	LS/I	T7LQ1000BW	\$ 12,062
			PR232/P	LSI	T7LQ1000CW	12,310
			PR331/P	LSIG	T7LQ1000EW	14,149
			PR332/P	LI	T7LQ1000PW	12,685
			PR332/P	LSI	T7LQ1000RW	12,785
			PR332/P	LSIG	T7LQ1000SW	15,154

T7L, 1200A, 600V

Electronic, 100% rated

Breaker	IC at 480VAC	kA	Trip type	Adjustment	3 pole, 600VAC catalog number	List price
T7L	100		PR231/P	LS/I	T7LQ1200BW	\$ 16,309
			PR232/P	LSI	T7LQ1200CW	16,558
			PR331/P	LSIG	T7LQ1200EW	18,398
			PR332/P	LI	T7LQ1200PW	16,933
			PR332/P	LSI	T7LQ1200RW	18,032
			PR332/P	LSIG	T7LQ1200SW	19,402

T7
1200A, 600V Δ
Electronic/Molded case switch

T7
1200A, 600V
Molded case switch

Breaker	IC at 480VAC ①	kA	Amp	Magnetic trip	3 pole, 600VAC catalog number	List price
T7H	-		1200	12,000	T7H1200DW	Consult factory

Call for availability!

Note: For terminal connection options see page 16.43

① When protected by a OCPD with appropriate ratings.

T8V & S8V
1600 / 2000 / 2500 / 3000A
Insulated case circuit breaker

Tmax
MCCBs



T8V



S8V

T8V (1600A / 2000A / 2500A / 3000A)

- Dimensions 3P Version: 15.00" H x 16.8"W x 11.2"D
- Weight: 161 (lbs) 1600A/2000A/2500A
236 (lbs) 3000A

Voltage	Interrupting capacity
240 VAC	125
480 VAC	125
600 VAC	100
600 VDC	—

- Four different frame ratings, 1600, 2000, 2500 & 3000 Amps
 - Available 100% rated version up to 3000A
 - Standard interrupting capacity 125kA @ 480V
 - Installation vertical position only
 - Wide range of UL field-installable accessories
 - Solid state trip unit available in three different versions:
PR232/P-LSI
PR331/P-LSIG
PR332/P-LI
PR332/P-LSI
PR332-LSIG
- The ability to add internal modules for flexible and precise configuration:
 Optional modules include:
 Voltage module
 Signaling module
 Communications module

S8V (1600A / 2000A / 2500A)

- Dimensions 3P Version: 15.75" H x 15.98"W x 9.25"D
- Weight: 135 (lbs)

Voltage	Interrupting capacity
240 VAC	125
480 VAC	100
600 VAC	85
600 VDC ①	25

- Three different frame ratings, 1600, 2000 and 2500 Amps
- Available 100% rated version up to 2000A
- Standard interrupting capacity 100kA @ 480V
- Installation vertical position only
- Internal accessories include electric charging motor, combination auxiliary /bell alarm switch, and undervoltage release
- Solid state trip unit available in three different versions:
PR212/P-LSI
PR212/P-LSIG

*Coming 2009
 Call for Availability!*

① Applies to MCS only.

Accessories

Electrical

T1 - T7



Shunt trips -(Standard) ①

For remote opening of circuit breaker. Guaranteed operation for a voltage of between 75-110% of the rated power supply voltage. T1-T6 mounts in the left hand cavity cannot be used with UVR on 2-3P breakers

Frame Size	Voltage	Factory Installation ①		Field Installation	
		Catalog number suffix	List price adder	Catalog number	List Price
T1-T3	480 - 500VAC 220-250VAC/DC 380 - 440VAC 110 - 125VAC/DC 48 - 60VAC/DC 24 - 30VAC/DC 12VDC	S1	\$ 535	KT3S1	\$ 490
		S2			
		S3			
		S4			
		S7			
		S8			
		S9			
		S9			
		S9			
Ts3	480VAC/250VDC 240 VAC 120VAC/125VDC 48VDC 24VAC/VDC 12VDC	S1	535	KTS3S1	490
		S2			
		S4			
		S7			
		S8			
		S8			
		S9			
		S9			
		S9			
T4, T5, T6 ③	480-500VAC 220/250VAC/DC 380-440VAC 110-125VAC/DC 48-60VAC/DC 24VAC/DC 12VDC	S1	535	KT5S1	490
		S2			
		S3			
		S4			
		S7			
		S8			
		S8			
		S9			
		S9			
T7	415-440VAC 380-400VAC 240-250VAC/DC 220-240VAC/DC 120-127VAC/DC 110-120VAC/DC 60VAC/DC 48VAC/DC 30VAC/DC 24VAC/DC	S1	535	KT7XS1	490
		S2			
		S3			
		S4			
		S5			
		S6			
		S7			
		S8			
		S8			
		S9			
		S0			

Shunt trip connector (REQUIRED for Ts3) ②

Frame Size	Mounting	Installation	Field Kit	List Price
Ts3	Fixed Mount ②	Included when shunt trip factory installed	KTS3C-SU	\$ 45
Ts3	Draw-out ②	Included when shunt trip factory installed	KTS3C-SUP	

Shunt trips (Permanent Supply) ①

For remote opening of circuit breaker. Guaranteed operation for a voltage of between 75-110% of the rated power supply voltage. These shunt trips have much lower power consumption.

Frame Size	Voltage	Factory Installation ①		Field Installation	
		Catalog number suffix	List price adder	Catalog number	List Price
Ts3	24VDC 120VAC	SA	\$ 535	KTS3SA	\$ 490
		SB		KTS3SB	
T4, T5, T6 ③	24-30VDC 110/120VAC	SA	535	KT5SA	490
		SB		KT5SB	

Shunt trip connector (REQUIRED for Ts3) ②

Frame Size	Mounting	Installation	Field Kit	List Price
Ts3	Fixed Mount ②	Included when shunt trip factory installed	KTS3C-SU	\$ 45
Ts3	Draw-out ②	Included when shunt trip factory installed	KTS3C-SUP	

① For factory installation add suffix given to end of circuit breaker catalog number per accessory format.

② Must be ordered separately for field installation.

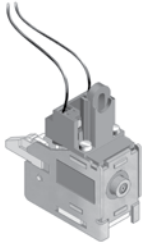
③ SAT5 Discount schedule.

Accessories

Electrical

T1 - T7

Tmax
MCCBs



KT3U2



T7 X1 Shunt trip - UVR

Undervoltage release - UVR

Will trip circuit breaker when connected voltage drops to 35-70% of the undervoltage release voltage rating. Will allow circuit breaker to close when voltage is approximately 85% of the rated voltage. T1-T6 mounts in the left hand cavity cannot be used with shunt trip on 2-3P breakers

Frame Size	Voltage	Factory Installation ①		Field Installation	
		Catalog number suffix	List price adder	Catalog number	List Price
T1-T3	480 - 500VAC 220-250VAC/DC 380 - 440VAC 110 - 125VAC/DC 60VAC/DC 48VAC/DC 24 - 30VAC/DC	U1	\$ 535	KT3U1	\$ 490
		U2		KT3U2	
		U3		KT3U3	
		U4		KT3U4	
		U5		KT3U5	
		U7		KT3U7	
		U8		KT3U8	
		Ts3		480VAC 240VAC 24VAC 120VAC 250VDC 125VDC 48VDC 24VDC	
U2	KTS3U2				
U3	KTS3U3				
U4	KTS3U4				
U5	KTS3U5				
U6	KTS3U6				
U7	KTS3U7				
U8	KTS3U8				
T4, T5, T6 ③	480-500VAC 220/250VAC/DC 380-440VAC 110-125VAC/DC 60VAC/DC 48VAC/DC 24VAC/DC	U1	535	KT5U1	490
		U2		KT5U2	
		U3		KT5U3	
		U4		KT5U4	
		U5		KT5U5	
		U7		KT5U7	
		U8		KT5U8	
		T7		415-440VAC 380-400VAC 240-250VAC/DC 220-240VAC/DC 120-127VAC/DC 110-120VAC/DC 60VAC/DC 48VAC/DC 30VAC/DC 24VAC/DC	
U2	KT7XU2				
U3	KT7XU3				
U4	KT7XU4				
U5	KT7XU5				
U6	KT7XU6				
U7	KT7XU7				
U8	KT7XU8				
U9	KT7XU9				
U0	KT7XU0				

Undervoltage trip connector (REQUIRED for Ts3) ②

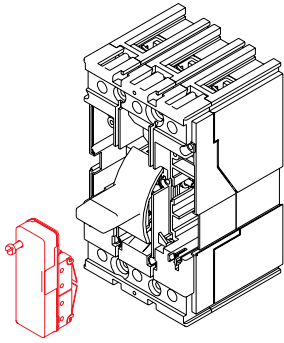
			Field Kit	
Ts3	Fixed Mount ② Plug-In/Draw-out ②	Included when under voltage factory installed Included when under voltage factory installed	KTS3C-SU KTS3C-SUP	\$ 45

① For factory installation add suffix given to end of circuit breaker catalog number per accessory format.
 ② Must be ordered separately for field installation.
 ③ SAT5 Discount schedule.

Accessories

Electrical

T1 - T7



T1 with K3TAS



KTS3AS

Auxiliary contacts - AUX ①

Auxiliary contacts are for indication of the circuit breaker open-closed. Bell alarm contacts (BA) can be used to indicate circuit breaker tripped.

Frame Size		Factory Installation ①		Field Installation	
		Catalog number suffix	List price adder	Catalog number	List Price
T1-T3 ②	1 Form C + 1BA	A	\$ 433	KT3AS	\$ 380
	3 Form C + 1BA	A3	770	KT3AS3	725
	3 Form C + 1BA 24VDC	A3AU	770	KT3AS3-AU	725
T2	T2 PR221DS 1 Form C + 1BA	A	433	KT2AS-E	380
Ts3	2 Form C	A	430	KTS3AS	275
	1 Form C + 1 BA	BA		KTS3BA	380
T4, T5, T6 ④	1 Form C + 1BA 250VAC/VDC	A	433	KT5AS	388
	3 Form C + 1BA 250VAC/VDC	A3	770	KT5AS3	725
	3 Form C + 1BA 24VDC	A3AU	770	KT5AS3-AU	725
T7	1 Form C + 1BA 400VAC/250VDC	A	446	KT7AS	396
	2 Form C 400VAC/250VDC	A2			
	1 Form C + 1BA 24VDC	AAU			
	2 Form C 24VDC	A2AU			

Auxiliary contact connector (REQUIRED for Ts3) ③

Frame Size		Included	Field Kit	
			Catalog number	List Price
Ts3	Fixed Mount ③	Included	KTS3C-AB	\$ 45
	Plug-In /Drawout ③	Included	KTS3C-ABP	

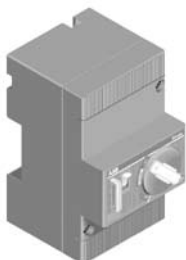
① For factory installation add suffix to end of breaker part number per accessory format .
 ② Not compatible for T2 with PR221DS trip unit.
 ③ Must be ordered separately for field installation.
 ④ SAT5 Discount schedule.

Accessories

Motor operators

T1 - T7

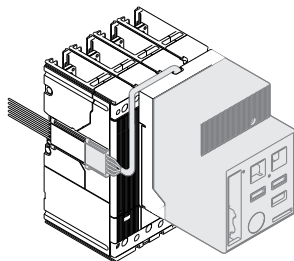
Tmax
MCCBs



KT3M1



KT5M2



KTS3M2

Electrical operators

Allows remote opening and closing of circuit breaker

Frame size	Voltage	Catalog number	List price
------------	---------	----------------	------------

Solenoid operator

T1-T3	48 - 60VDC 110 - 250VAC/DC	KT3M1 KT3M2	\$ 850
-------	-------------------------------	----------------	--------

Direct action motor operator

Ts3	240VAC/250VDC 120VAC/125VDC 48VDC 24VDC	KTS3M2 KTS3M4 KTS3M7 KTS3M8	1,799
-----	--	--------------------------------------	-------

Motor operator connector (REQUIRED for Ts3) ①

Ts3	Fixed Mount ① Plug-In / Draw-out ②	KTS3C-M KTS3C-MP	45
-----	---------------------------------------	---------------------	----

Stored energy motor operator

T4, T5	220-250VAC/DC 110--125-VAC/DC 48-60VDC 24VDC	KT5M2 KT5M4 KT5M7 KT5M8	2,385
--------	---	----------------------------------	-------

Contact for remote/manual operation (stored energy operator)

T4, T5, T6 ②	-	KT5MA	220
--------------	---	-------	-----

Stored energy motor operator

T6	220-250VAC/DC 110--125-VAC/DC 48-60VDC 24VDC 380VAC	KT6M2 KT6M4 KT6M7 KT6M8 KT6M3	4,990
----	---	---	-------

① Must be ordered separately for field installation
② SAT5 Discount schedule.

Accessories

Trip units

Frame Size		Catalog number	List Price
Rating plugs			
T7	400A Rating plug 600A Rating plug 800 Rating plug 1000A Rating plug 1200 Rating plug	KT7X0400RP KT7X0600RP KT7X0800RP KT7X1000RP KT7X1200RP	\$ 125
Modules for T7 PR332 electronic trip units			
T7	Communication module (Modbus RTU) Battery power supply unit ①	PR330/D-M PR030/B	4,500 275
Neutral current transformers (required for 4 wire ground fault systems)			
T4	100A 150A 250A	KT4NCT-100 KT4NCT-150 KT4NCT-250	300
T5	300A 400A	KT5NCT-300 KT5NCT-400	300
T6	600A 800A	KT6NCT-600 KT6NCT-800	770
Test sets			
	Test and configuration unit ③ Trip coil test-all Tmax electronic trip unit except PR33*	PR010/T K7TUT	12,500 210
	External Bluetooth communication module ① Includes diagnostic software for Modbus / Bluetooth networks	BT030	3,335
Actuator module			
T7	Actuator module ②	PR330/R-T7	700

① Always supplied with PR332/P trip unit.
② Must be ordered when using PR330/D-M.
③ Discount schedule EDX.

Technical data

Shunt trips/Undervoltages

Tmax
MCCBs

Standard shunt trip

Voltage	Inrush Power Consumption							
	T1,T2,T3		Ts3		T4,T5,T6		T7	
	AC (VA)	DC (W)	AC (VA)	DC (W)	AC (VA)	DC (W)	AC (VA)	DC (W)
12 VDC	-	50	-	120	-	150	-	-
24 VAC/DC	-	-	100	100 or 4 ①	-	-	300	300
24...30 VAC/DC	50	50	-	-	150	150	-	-
30 VAC/DC	-	-	-	-	-	-	300	300
48 VAC/DC	-	-	-	120	-	-	300	300
48...60 VAC/DC	60	60	-	-	150	150	-	-
60 VAC/DC	-	-	-	-	-	-	300	300
100...120 VAC/DC	-	-	100 or 4 ①	-	-	-	300	300
120...127 VAC/DC	-	-	-	-	-	-	300	300
110...127 VAC 110...125 VDC	50	50	-	120	150	150	-	-
220...240 VAC/DC	-	-	-	-	-	-	300	300
220...240 VAC 220...250 VDC	50	50	100	120	150	150	-	-
240...250 VAC/DC	-	-	-	-	-	-	300	300
380...400 VAC	-	-	-	-	-	-	300	-
380...440 VAC	55	-	-	-	150	-	-	-
415...440 VAC	-	-	-	-	-	-	300	-
480 VAC	-	-	100	-	-	-	-	-
480...525 VAC	55	-	-	-	150	-	-	-
Opening Time (ms)	15	15	≤15	≤15	15	15	20	20

Permanent supply shunt trip

Voltage	T4,T5,T6	
	AC (VA)	DC (W)
24 VAC/DC	4	4
100...120 VAC	4	-

Undervoltage

Voltage	Power consumption during permanent operation							
	T1,T2,T3		Ts3		T4, T5, T6		T7	
	AC (VA)	DC (W)	AC (VA)	DC (W)	AC (VA)	DC (W)	AC (VA)	DC (W)
24 VAC/DC	-	-	6	3	-	-	3.5	3.5
24...30 VAC/DC	1.5	1.5	-	-	6	3	-	-
30 VAC/DC	-	-	-	-	-	-	3.5	3.5
48 VAC/DC	1	1	6	3	6	3	-	-
60 VAC/DC	1	1	-	-	6	3	-	-
110...120 VAC/DC	-	-	6	-	-	-	3.5	3.5
120...127 VAC/DC	-	-	-	-	-	-	3.5	3.5
110...127 VAC 110...125 VDC	2	2	-	-	6	3	-	-
220...240 VAC/DC	-	-	-	-	-	-	3.5	3.5
220...240 VAC 220...250 VDC	2.5	2.5	-	3	6	3	-	-
220...250 VAC	-	-	6	-	-	-	-	-
240...250 VAC/DC	-	-	-	-	-	-	3.5	3.5
380...400 VAC	-	-	-	-	-	-	3.5	-
380...440 VAC	3	-	-	-	6	-	-	-
415 - 440 VAC	-	-	-	-	-	-	3.5	-
480...525 VAC	4	-	-	-	6	-	-	-
480 VAC	-	-	6	-	-	-	-	-
Opening Time (ms)	15	15	≤18	≤18	≤25	≤25	≤25	≤25

① Shunt trip permanent supply

Technical data

Electrical operators

Electrical operator, T1-T3

Rated Voltage		AC	DC
		-	48...60
		110...250	110...250
Operating Voltage		85...110% Un	
Inrush power absorption during operation		1800 (VA)	1000 (W)
Power on stand by		< 100 (mW)	
Time	opening (s)	< 0.1	
	closing (s)	< 0.1	
Minimum control impulse time on opening and closing (ms)		>100	

This unit is permanently supplied on stand by, a control is applied by means of external contact in a low power circuit.

Contact characteristics:

Voltage AC/DC=24V

Current 50 mA

Electrical operator, Ts3

Rated Voltage		AC	DC
		-	24
		-	48...60
		120	125
		240	250
		440	-
Operating Voltage		85...110 % Un	
Inrush power absorption		500 (VA)	500 (W)
Service power absorption		350 (VA)	350 (W)
Time constant (ms)		18	
Duration	opening (s)	0.1	
	closing (s)	0.1	
Minimum duration of the opening and closing command impulse (ms)		≥150	

Electrical operator, T4-T5

Voltage		AC	DC
		-	24
		-	48...60
		110...125	110...125
		220-250	220-250
		380	-
Operating Voltage		85...110%	
Inrush power consumption		≤ 300VA	≤ 300W
In service power consumption		≤150VA	≤150W
Duration	opening (s)	1.5	
	closing (s)	< 0.1	
	resetting (s)	3	
Minimum duration of the opening and closing command impulse (ms)		≥100	

Electrical operator, T6

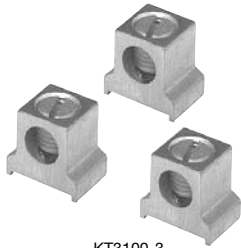
Voltage		AC	DC
		-	24
		-	48...60
		110-125	110-125
		220-250	220-250
		380	-
Operating Voltage		85...110%	
Inrush power consumption		≤ 400VA	≤ 400W
In service power consumption		≤150VA	≤150W
Duration	opening (s)	3	
	closing (s)	< 0.1	
	resetting (s)	5	
Minimum duration of the opening and closing command impulse (ms)		≥100	

Accessories

Mechanical

T1 - T7

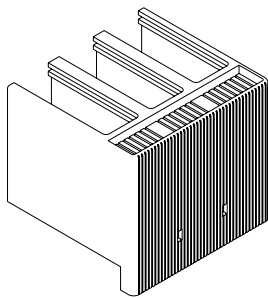
Tmax
MCCBs



KT3100-3

Standard cable terminal

Frame	Wire Size	Catalog number (set of 3)	List Price	Catalog number (set of 4)	List Price
T1	14 AWG-1/0	Integral	—	Integral	—
T2	14 AWG-1/0	KT2100-3	\$ 9	KT2100-4	\$ 12
T3	14 AWG - 1/0	KT3100-3	9	KT3100-4	12
	4 AWG - 300 kcmil	KT3225-3	18	KT3225-4	24
Ts3	14-2	K3TA ③	6	K3TA-4 ③	8
	14-1/0	K4TB ③	6	K4TB-4 ③	8
	2-4/0	K4TC ③	6	K4TC-4 ③	8
	4-300 kcmil	K4TD ③	15	K4TD-4 ③	20
T4	14 AWG-1/0	KT4100-3	9	KT4100-4	12
	6 AWG-350 kcmil	KT4250-3	30	KT4250-4	40
T5	250 kcmil-500 kcmil	KT5300-3	45	KT5300-4	60
T5 ①	(2) 3/0-250 kcmil	KT5400-3	45	KT5400-4	60
T5 ②	(2) 3/0-500 kcmil	KT5600-3	225	—	—
T6	(2) 250-500 kcmil ③	K6TH ③	75	K6TH-4 ③	100
T6 ①	(3) 2/0-400 kcmil ③	K6TJ ③	135	K6TJ-4 ③	180
T7 ①	(4) 4/0-500 kcmil	KT7X1200-3	560	KT7X1200-4	747



KT1HTC-3

Standard cable lug kits with power control taps

Frame	Wire Size	Catalog number (set of 3)	List Price	Catalog number (set of 4)	List Price
T3	14 AWG - 1/0	KT3100-3C	\$ 16	KT3100-4C	\$ 19
	4 AWG - 300 kcmil	KT3225-3C	18	KT3225-4C	31
Ts3	14 AWG-1/0	K4TBC	12	K4TBC-4	20
	2 AWG-4/0	K4TCC	12	K4TCC-4	20
	4 AWG-300 kcmil	K4TDC	21	K4TDC-4	31
T4	14 AWG-1/0	KT4100-3C	15	KT4100-4C	20
	6 AWG-350 kcmil	KT4250-3C	36	KT4250-4C	48
T5	250 kcmil-500 kcmil	KT5300-3C	51	KT5300-4C	68
T5 ①	(2) 3/0-250 kcmil	KT5400-3C	51	KT5400-4C	68
T6	(2) 250-500 kcmil	K6THC ③	81	K6THC-4 ③	109
T6 ②	(3) 2/0-400 kcmil	K6TJC ③	141	K6TJC-4 ③	190

Terminal covers for fixed breakers - Low profile-kit includes two pieces

Frame	Catalog number (3 pole)	List Price	Catalog number (4 pole)	List Price
T1	KT1LTC-3	\$ 35	KT1LTC-4	\$ 47
T2	KT2LTC-3	40	KT2LTC-4	54
T3	KT3LTC-3	50	KT3LTC-4	68
Ts3	KTS3LTC-3	55	KTS3LTC-4	74
T4	KT4LTC-3	55	KT4LTC-4	74
T5	KT5LTC-3	60	KT5LTC-4	81
T6	KT6LTC-3	75	KT6LTC-4	101
T7	KT7XLTC-3	80	KT7XLTC-4	108



KT4LTC-3

Terminal covers for fixed breakers - High profile-kit includes two pieces

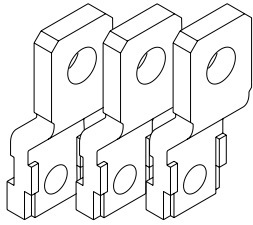
Frame	Catalog number (3 pole)	List Price	Catalog number (4 pole)	List price
T1	KT1HTC-3	\$ 37	KT1HTC-4	\$ 50
T2	KT2HTC-3	43	KT2HTC-4	58
T3	KT3HTC-3	53	KT3HTC-4	72
Ts3	KTS3HTC-3	58	KTS3HTC-4	78
T4	KT4HTC-3	58	KT4HTC-4	78
T5	KT5HTC-3	63	KT5HTC-4	85
T6	KT6HTC-3	85	KT6HTC-4	108
T7	KT7XHTC-3	90	KT7XHTC-4	115

① Comes standard with high profile terminal covers.
 ② Uses front extended spreaded terminals... refer to technical catalog.
 ③ Discount schedule SA.

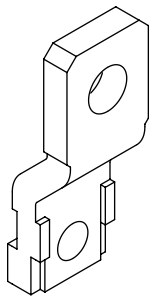
Accessories

Mechanical

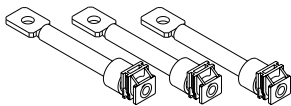
T1 - T7



KT2EF-3



KT4EF-₋



KT2R-3

Phase barriers - Low profile 100mm-3.93 in

Frame	4 pcs (3p)	List Price	6 pcs (4p)	List Price
T1-T3	KT3PBL-3	\$ 28	KT3PBL-4	\$ 42
T4-T5	KT5PBL-3	28	KT5PBL-4	42
T6	KT6PBL-3	42	KT6PBL-4	57
T7	KT7PBL-3	50	KT7PBL-4	68

Phase barriers - High profile 200mm-7.87 in

Frame	4 pcs (3p)	List Price	6 pcs (4p)	List Price
T1-T3	KT3PBH-3	\$ 42	KT3PBH-4	\$ 63
T4-T5	KT5PBH-3	42	KT5PBH-4	63
T7	KT7PBH-3	67	KT7PBH-4	90

Saddle terminals for Copper Cables - IEC

Frame	Catalog number (Set of 3)	List Price	Catalog number (Set of 4)	List Price
T2	KT2100S-3	\$ 34	KT2100S-4	\$ 46
T3	KT3225S-3	52	KT3225S-4	70
Ts3	K4TES ③	30	K4TES-4 ④	40
T4	KT4250S-3	41	KT4250S-4	55
T5	KT5300S-3	270	KT5300S-4	365

Extended front terminals

Frame	Catalog number (set of 3)	List Price	Catalog number (set of 4)	List Price
T2	KT2EF-3	\$ 26	KT2EF-4	\$ 35
T3	KT3EF-3	33	KT3EF-4	44
Ts3	KTS3EF-3	65	KTS3EF-4	88
T4	KT4EF-3	55	KT4EF-4	73
T5	KT5EF-3	115	KT5EF-4	155

Rear terminals ①

Frame	Catalog number (set of 3)	List Price	Catalog number (set of 4)	List Price
T2	KT2R-3	\$ 78	KT2R-4	\$ 105
T3	KT3R-3	98	KT3R-4	131
T4	KT4R-3	60	KT4R-4	80
T5	KT5R-3	122	KT5R-4	163
T6	KT6R-3	350	KT6R-4	473
T7	KT7R-3	407	KT7R-4	550

Distribution cable lug kit ②

Frame	Wire Size	Catalog number (set of 3)	List Price	Catalog number (set of 4)	List Price
T3	(6) #14-6	KT3TN	\$ 125	KT3TN-4	\$ 167
Ts3	(6) #14-6	KTS3TN	125	KTS3TN-4	169
T4	(6) #14-6	KT4TN	125	KT4TN-4	167
T5	(6) #14-1/0	KT5TGD	240	KT5TGD-4	320

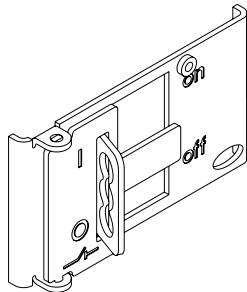
① Includes low profile terminal cover.
 ② Includes high profile terminal cover.
 ③ Set of six, Discount schedule SA.
 ④ Set of eight, Discount schedule SA.

Accessories

Mechanical, T1 - T7

Locking devices and handle operators

Tmax
MCCBs



KT3LD

Padlock locking device

Frame	Style	Locking Position	Breaker Mounting	Catalog number	List Price
T1,T2,T3	PLL	OPEN/CLOSED OPEN	Fixed	KT3LD KT3LDO	\$ 35
Ts3	FLD	OPEN	Fixed, Plug-In Draw-Out	KTS3FLD KTS3FLDW	87 125
T4-T5	FLD	OPEN	Fixed, Plug-In Draw-out	KT5FLD KT5FLDW	40 55
T6	FLD	OPEN	Fixed, Plug-In Draw-out	KT6FLD KT6FLDW	220 240
T7	PLL	OPEN	Fixed, Drawout	KT7LDO	260

Keylocks-rotary handle mechanism

Frame	Style	Locking Position	Keys	Catalog number	List Price
T1,T2,T3	RHL	OPEN/CLOSED	Different	KT3RHL3	\$ 94
Ts3	-	OPEN	Different	KTS3KLF	58
T4-T5	KLF-D	OPEN	Different	KT5KLF	58
T6	KLF-D	OPEN	Different	KT6KLF	68
T7	KLF-D	OPEN	Different	KT7KLF	79



KT5RH

Direct mount rotary operator handle

Frame	Breaker Mounting	Catalog number	List Price
T1,T2,T3	Fixed, Plug-In	KT3RH	\$ 146
Ts3	Fixed, Plug-In	KTS3RH	150
Ts3	Draw-out	KTS3RHW	150
T5	Fixed, Plug-In	KT5RH	135
T5	Draw-Out	KT5RHW	135
T6	Fixed, Plug-In	KT6RH	450
T6	Draw-out	KT6RHW	450
T7	Fixed, Plug-In	KT7RH	450

Variable depth handle operators

Frame	NEMA rating	Mechanism catalog number	List Price	Shaft catalog number	List Price	Handle catalog number	List Price
T1-T3	1,3R,12	-	-	-	-	OHB65J6 ① OHY65J6 ①	\$ 80
	4, 4X	KT3VD-M	\$ 72	OXp6X430 (16.9") ②	\$ 28	OHB80L6 ① OHY80L6 ①	130
	1	-	-	KT3VD-S (11.8")	35	KT3VD-H	87
Ts3	1,3R,12	-	-	OXp10X148 (5.8") ②	24	OHB95J10 ① OHY95J10 ①	80
	4,4X	KTS3VD-M	72	OXp10X225 (8.9") ①	26	OHB95L10 ① OHY95L10 ①	120
	-	-	-	OXp10X500 (19.7") ①	32	-	-
	1	-	-	KT3VD-S (20")	35	KTS3VD-H	87
T4-T5	1,3R,12	-	-	OXp10X148 (5.8") ①	24	OHB95J10 ① OHY95J10 ①	80
	4,4X	KT5VD-M	65	OXp10X225 (8.9") ①	26	OHB95L10 ① OHY95L10 ①	120
	-	-	-	OXp10X500 (19.7") ①	32	-	-
	1	-	-	KT5VD-S (19.7")	36	KT5VD-H	87
T6	1,3R,12	-	-	OXp10X148 (5.8") ①	24	OHB125J10 ① OHY125J10 ①	90
	4,4X	KT6VD-M	370	OXp10X225 (8.9") ①	26	OHB125L10 ①	130
	-	-	-	OXp10X500 (19.7") ①	32	-	-
	1	-	-	KT5VD-S (19.7)	36	KT6VD-H	210
T7	1,3R,12	-	-	OXp10X148 (5.8") ①	24	OHB175J10 ① OHY175J10 ①	100
	-	KT7VD-M	370	OXp10X225 (8.9") ①	26	OHB175L10 ①	140
	-	-	-	OXp10X500 (19.7") ①	32	-	-
	1	-	-	KT7VD-S (19.7")	130	KT7VD-H	231



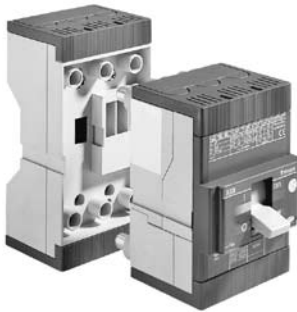
OHB65J6



OHB125J10

① Discount schedule SH.
② Discount schedule H6.

Accessories Mechanical, T1 - T7



KT2PFF + KT2PMK (on back of breaker) + breaker



KT4PMK (on back of breaker)



KT4PFVR

Plug-in kits ①

Frame	Catalog number Adapter moving part	List Price	Catalog number fixed part	List Price
T2 - 3 pole with front terminals	KT2PMK	\$ 171	KT2PFF	\$ 238
T3 - 3 pole with front terminals	KT3PMK	190	KT3PFF	264
T2-T3 Fixed parts accept the same cable and rear terminal kits as the circuit breakers				
Ts3 3 pole with front terminals	KTS3PMK	250	KTS3PFF	305
Ts3 3 pole with rear terminals			KTS3PFR	
T4 3 pole with extended front terminal			KT4PFEF	710
T4 3 pole with rear horizontal terminals	KT4PMK	250	KT4PFHR	766
T4 3 pole with rear vertical terminals			KT4PFVR	766
400A				
T5 400A 3 pole with extended front terminal			KT5PFEF	810
T5 400A 3 pole with rear horizontal terminal	KT5PMK	350	KT5PFHR	866
T5 400A 3 pole with rear vertical terminal			KT5PFVR	866
600A				
T5 600A 3 pole with extended front terminal			KT56PFEF	1,158
T5 600A 3 pole with rear horizontal terminal	KT56PMK	501	KT56PFHR	1,238
T5 600A 3 pole with rear vertical terminal			KT56PFVR	1,238

Plug connectors, T1-T3

Required when adding accessories to plug-in breakers

Plug Connector	Catalog number	List price
Shunt trip or UVR	KT3PC-3	\$ 18
1 form C plus 1 BA	KT3PC-6	21
3 form C plus 1 BA	KT3PC-12	24

Adaptors, T4-T6 ②

Required when adding accessories to plug-in or drawout breakers

Adaptors	Catalog number	List price
1 form C plus 1 BA	KT5ADP-6	\$ 24
Shunt trip/UVR	KT5ADP-6	24
Stored energy operator	KT5ADP-10	30
Stored energy operator plus shunt trip/UVR	KT5ADP-10	30
3 form C plus 1BA	KT5ADP-12	35

① Plug connectors (T2-T3), Adaptors (T4-T5), required when adding accessories to plug-in breakers.

② SAT5 Discount schedule.

Accessories

T1 - T7

Tmax
MCCBs

Draw-out kits ①

Item	Catalog number Adaptor moving part	List Price	Catalog Number Fixed part	List Price
Ts3 3 pole with front terminals	KTS3WMK	\$ 290	KTS3WFF ③	\$ 790
Ts3 3 pole with rear terminals			KTS3WFR ③	
T4 3 pole with extended front terminal	KT4WMK	290	KT4WFEF	816
T4 3 pole with rear horizontal terminals			KT4WFHR	1,021
T4 3 pole with rear vertical terminals			KT4WFVR	1,021
400A				
T5 3 pole with extended front terminal	KT5WMK	407	KT5WFEF	931
T5 3 pole with rear horizontal terminal			KT5WFHR	1,154
T5 3 pole with rear vertical terminal			KT5WFVR	1,154
600A				
T5 3 pole with extended front terminal	KT56WMK	582	KT56WFEF	1,331
T5 3 pole with rear horizontal terminal			KT56WFHR	1,650
T5 3 pole with rear vertical terminal			KT56WFVR	1,650
T6 3 pole with extended front terminal	KT6WMK	670	KT6WFEF ③	1,844
T6 3 pole with rear horizontal terminal			KT6WFHR ③	1,844
T6 3 pole with rear vertical terminal			KT6WFVR	2,144
T7 3 pole with horizontal/vertical terminals	KT7XWMK	755	KT7WFHR ②	2,567



Adaptors — T4-T6 ④

Required when adding accessories to plug-in or drawout breakers

Adaptors	Catalog number	List price
1 form C plus 1 BA	KT5ADP-6	\$ 24
Shunt trip/UVR	KT5ADP-6	24
Stored energy operator	KT5ADP-10	30
Stored energy operator plus shunt trip/UVR	KT5ADP-10	30
3 form C plus 1BA	KT5ADP-12	35

Sliding contact blocks — T7-Draw-out

Item	Moving Part Breaker	List Price	Fixed Part Cradle	List Price
Left Block				
Spring charging motor	KT7XSCMP-L	\$ 160	KT7SCFP-L	\$ 185
Spring charged contact				
Ready to close contact				
Early auxiliary contact				
Contact for trip coil release trip				
Trip rest				
Center Block				
PR331	KT7XSCMP-C	160	KT7XSCFP-C	310
PR332				
Right Block				
Auxiliary contacts	KT7XSCMP-R	160	KT7XSCFP-R	310
Shunt trip				
Closing Coil				
Undervoltage release				

If at least one of the accessories in table is installed on the breaker - respective pair of contact blocks must be installed on the fixed part (cradle) and the moving part. (breaker)

Position key lock — T7 - T7M-X1

Item	Catalog number	List Price
Key #20005	KT7XPL2	\$ 202
Different key		

Locks drawout breaker in racked-in / test isolation / racked-out position.

Position key lock accessory — T7 - T7M-X1

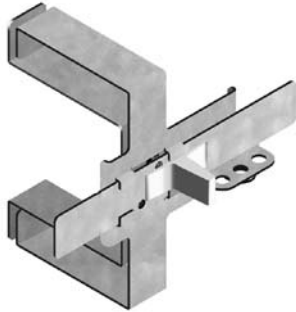
Item	Catalog number	List Price
Key lock accessory	KT7XPLA	\$ 35

Accessory added to position key lock allows breaker to be locked in racked-out position only.

① Adaptors (T4-T6), Sliding contact blocks (T7) required when adding accessories to draw-out breakers.
 ② Comes standard with horizontal terminals field convertible to vertical
 ③ IEC
 ④ SAT5 Discount schedule.

Accessories

T1 - T7



KT3MIF2

DIN rail adapters

Item	Catalog Number	List Price
T1/T2 (mounts on 35 mm DIN rail 15mm high)	KT2DIN	\$ 33
T3 (mounts on 35mm DIN rail 15mm high)	KT3DIN	41
Ts3 (mounts on 75 mm DIN rail)	KTS3DIN	51

Mechanical interlocks

Item	Catalog Number	List Price
T1-T3		
Sliding bar interlock-front mounted (2 Breakers)	KT3MIF2	\$ 625
Sliding bar interlock-front mounted (3 Breakers)	KT3MIF3	844
T3		
Rear Interlock-horizontal	KT3MI-H	896
Rear Interlock-vertical	KT3MI-V	985
Ts3		
Horizontal	KTS3MI-H	798
Vertical	KTS3MI-V	798
T4-T5 ①		
Interlock frame		
Mechanical Interlock frame-horizontal	KT5MIR-HB	490
Mechanical Interlock frame-vertical	KT5MIR-VB	588
Plate type		
A T4 (F-P-W) T4 (F-P-W)	KT5MIR-PA	210
B T4 (F-P-W) T5 400 (F-P-W) OR T5 600 (F)	KT5MIR-PB	
C T4 (F-P-W) T5 600 (P-W)	KT5MIR-PC	
D T5 (F-P-W) T5 400 (F-P-W) OR 630 (F)	KT5MIR-PD	
E T4 (F-P-W) T5 600 (P-W)	KT5MIR-PE	
F T4 (F-P-W) T5 600 (P-W)	KT5MIR-PF	
T6		
Horizontal	KT6MI-H	620
Vertical	KT6MI-V	
T7 ②		
Cable T7-X1	KT7XMLC	270
Mech. interlock plate-fixed	KT7XMLPW	670
Mech. interlock plate-draw-out	KT7XMLPF	670

① T4-T5 Complete assembly consists of one interlock frame and one plate.

② To interlock two circuit breakers, you have to order a cable kit and two plates.

Enclosures Type 1 & 3R/12

Tmax
MCCBs



T3E-1



T4E-3R12 ③

Enclosures (Price does not include circuit breaker; order as a separate item.) ④

NEMA designation	Breaker type	Enclosure maximum rating		Approximate dimensions① H x W x D (inches)	Catalog number	List price
		AL cables	CU cables			
Type 1 ①	T1	100A	100A	15 x 8.5 x 4	T1E-1	\$ 267
	T2	100A	100A	15 x 8.5 x 4	T2E-1	267
	T3	175A	225A	20 x 11 x 4	T3E-1	315
	T4	200A	250A	26 x 15 x 6.25	T4E-1 ②	407
	T5	325A	400A	26 x 15 x 6.25	T5E-1 ②	435
Type 3R/12③	T1	100A	100A	15 x 8.5 x 7	T1E-3R12	407
	T2	100A	100A	15 x 8.5 x 7	T2E-3R12	407
	T3	175A	225A	20 x 11 x 7	T3E-3R12	527
	T4	200A	250A	26 x 15 x 9	T4E-3R12	625
	T5	325A	400A	26 x 15 x 9	T5E-3R12	767

Neutral kits

Breaker type	Neutral cable capacity and wire range	Neutral kit catalog number	List price
T1 – T2	Neutral #14-1/0 Bonding Lug #14-1/0	T2NK125	\$ 140
T3	Neutral #6-250 kcmil Bonding Lug #14-1/0	T3NK225	150
T4	Neutral #6-250 kcmil Bonding Lug #14-1/0 kcmil	T4NK250	155
T5	Neutral (2) #6-250 kcmil Bonding Lug #14-1/0 kcmil	T5NK400	295

NOTE: The list price adder for factory installation of an enclosed circuit breaker is 50% of the enclosure list price.

Description

Type 1

- General purpose indoor enclosure intended for use in normal environments to provide a degree of protection against contact with enclosed equipment.
- Sheet steel, surface mount.
- Breaker is front-operable and can be padlocked via a separately ordered padlock device.
- Available through 400A, 600VAC
- (SUSE) suitable for use as service equipment.

Type 3R/12

- Type 3R is intended for outdoor use providing protection against rain, sleet or snow.
- Type 12 is for use in indoor atmospheres to provide a degree of protection against circulating dust, lint, sawdust, falling dirt and dripping non-corrosive liquids.
- Surface-mounted, sheet steel enclosure.
- Breaker can be operated via **separately ordered** handle mechanism; door is interlocked with mechanism.
- Available through 400A, 600VAC.
- (SUSE) suitable for use as service equipment.

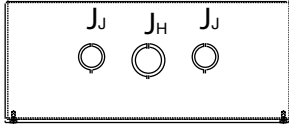
① Padlocking provision must be ordered separately.
 ② Must order KT5FLD (padlock device) separately.
 ③ Variable depth rotary handle must be ordered separately.
 ④ Consult ABB for breakers installed in enclosures.

Enclosures

Approximate dimensions, T1 – T5

NEMA 1, 3R & 12

NEMA 1



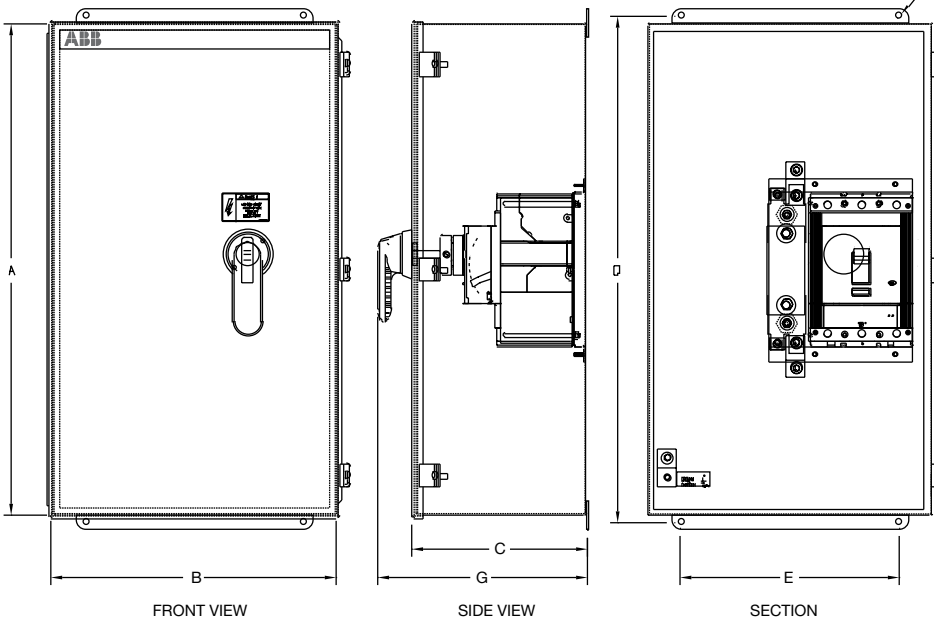
SHOWN WITH BREAKER, PADLOCK DEVICE AND NEUTRAL KIT ORDERED SEPARATELY



Cat. #	A	B	C	D	E	F	G	H	J
T1E-1	15.00 381	8.50 216	4.00 102	13.00 330	6.50 165	0.281 7	4.93 125	1, 1-1/4 25, 32	3/4, 1 19, 25
T2E-1	15.00 381	8.50 216	4.00 102	13.00 330	6.50 165	0.281 7	4.93 125	1, 1-1/4 25, 32	3/4, 1 19, 25
T3E-1	20.00 508	11.00 279	4.00 102	18.00 457	9.00 229	0.281 7	4.93 125	1, 1-1/4 25, 32	3/4, 1 19, 25
T4E-1	26.00 660	15.00 381	6.25 159	24.00 610	13.00 330	0.281 7	7.01 178	1, 1-1/4 25, 32	3/4, 1 19, 25
T5E-1	26.00 660	15.00 381	6.25 159	24.00 610	13.00 330	0.281 7	7.01 178	1, 1-1/4 25, 32	3/4, 1 19, 25

NEMA 3R, 12

SHOWN WITH BREAKER, VARI-DEPTH MECHANISM, HANDLE, SHAFT AND NEUTRAL KIT, ORDERED SEPARATELY



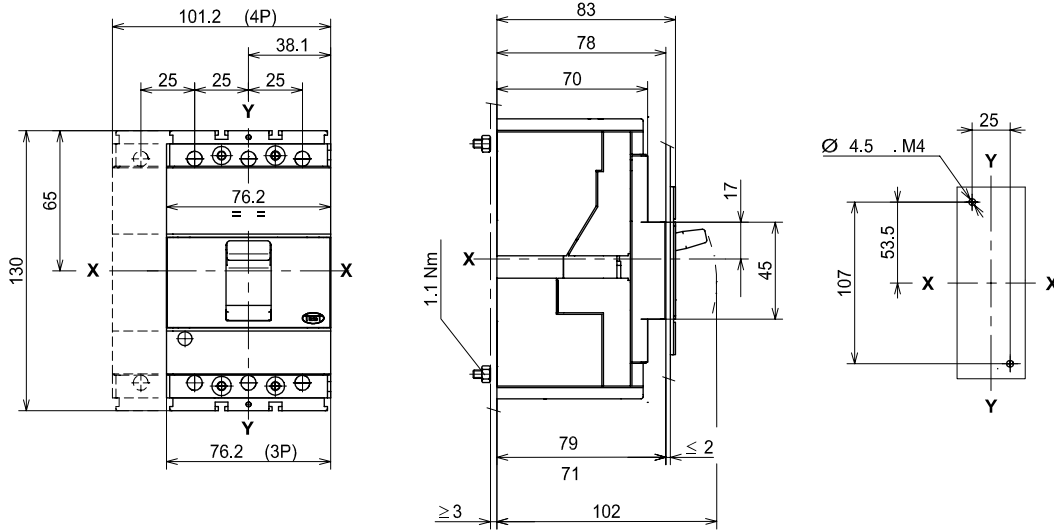
Cat. #	A	B	C	D	E	F	G
T1E-3R12	15.00 381	8.50 216	7.00 178	15.75 400	5.00 127	0.313 8	9.06 230
T2E-3R12	15.00 381	8.50 216	7.00 178	15.75 400	5.00 127	0.313 8	9.06 230
T3E-3R12	20.00 508	11.00 279	7.00 178	20.75 527	7.50 191	0.313 8	9.06 230
T4E-3R12	26.00 660	15.00 381	9.00 229	26.75 679	11.50 292	0.313 8	11.06 281
T5E-3R12	26.00 660	15.00 381	9.00 229	26.75 679	11.50 292	0.313 8	11.06 281

16

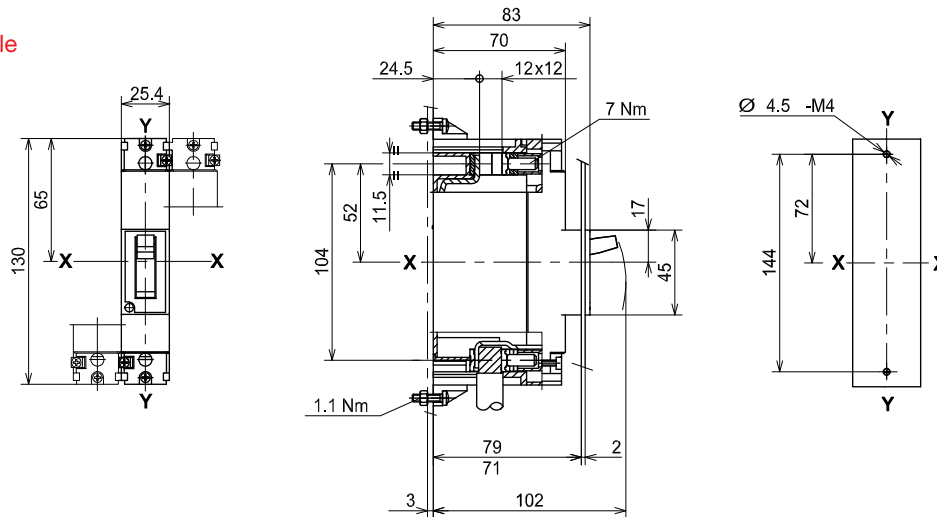
Approximate dimensions T1 & T2

Tmax
MCCBs

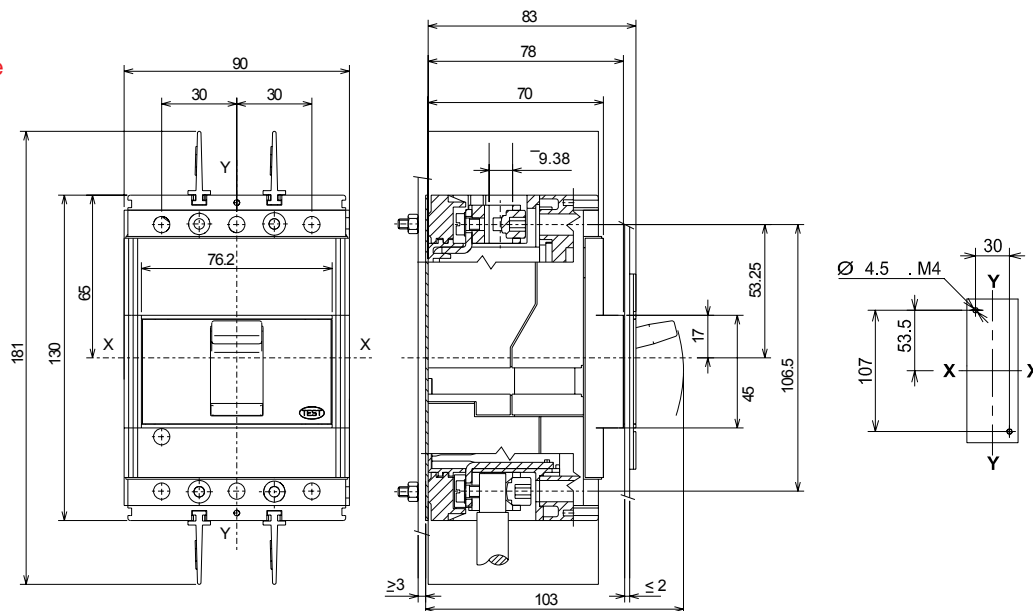
T1 – 3 pole



T1 – Single pole

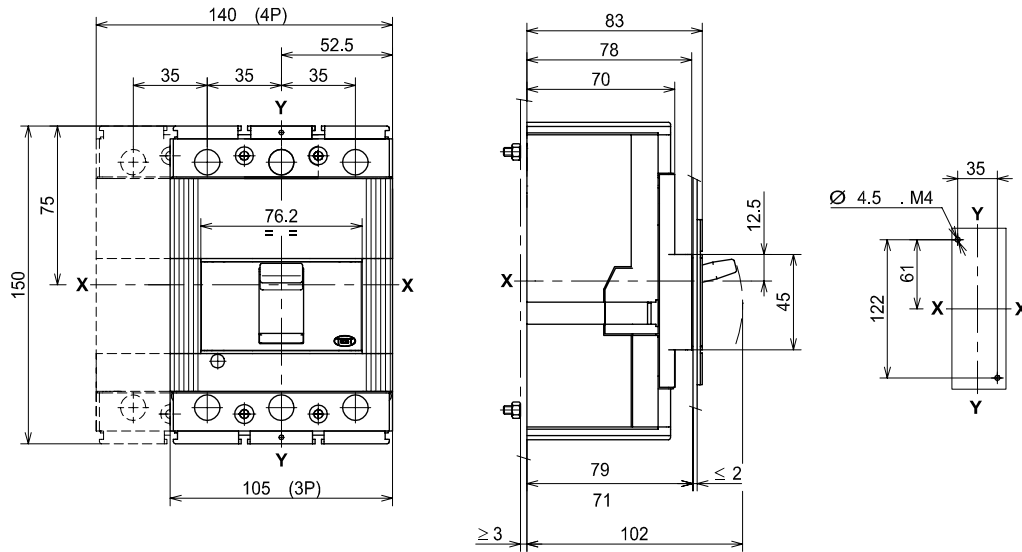


T2 – 2 & 3 pole

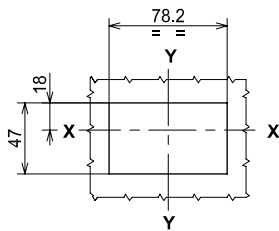


Approximate dimensions T3

T3 — 2 & 3 pole

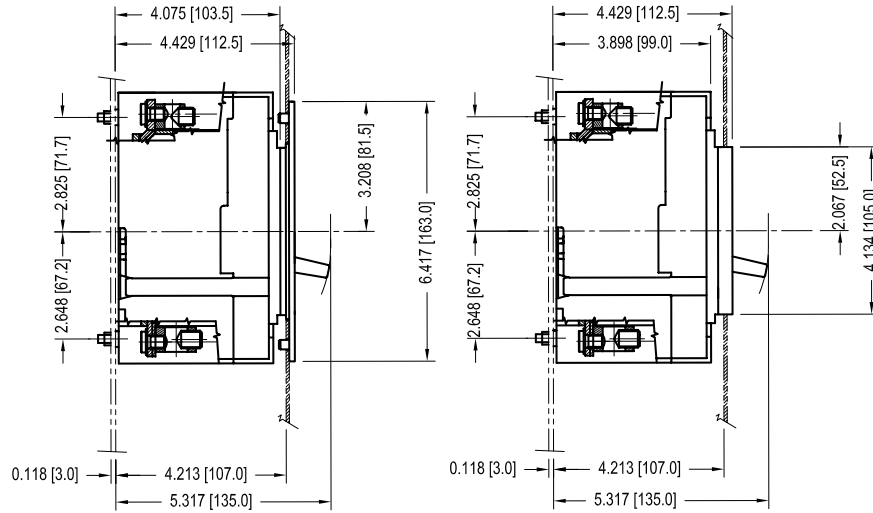


Door cut-out for Tmax without faceplate



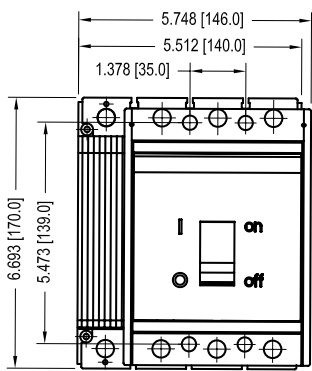
Approximate dimensions Ts3

Tmax
MCCBs

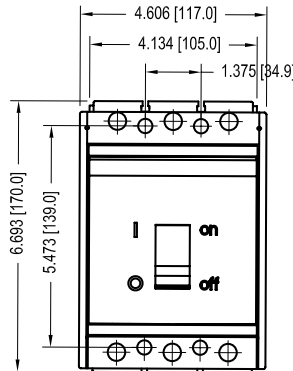


T3S 3 & 4 POLE
SIDE VIEW
WITH FLANGE

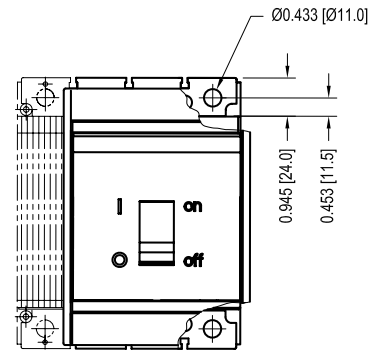
T3S 3 & 4 POLE
SIDE VIEW
WITHOUT FLANGE



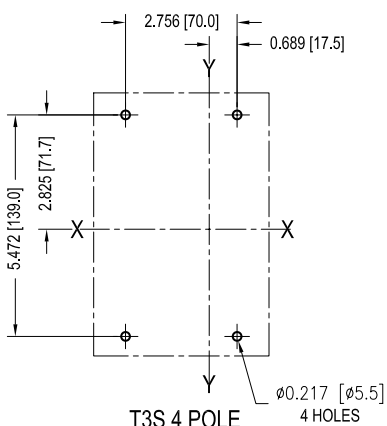
T3S 4 POLE
FRONT VIEW



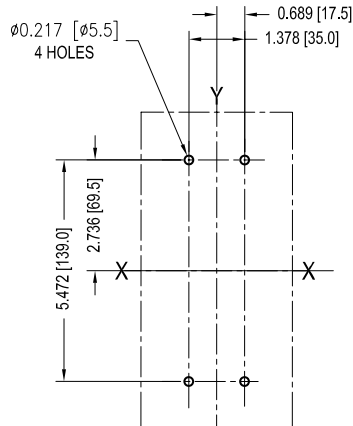
T3S 3 POLE
FRONT VIEW



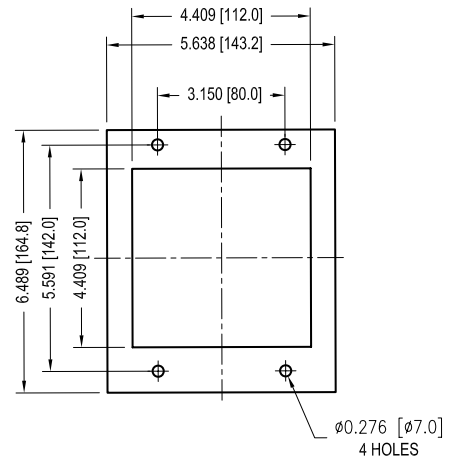
T3S 3 & 4 POLE
FRONT CONNECTION
FRONT VIEW



T3S 4 POLE
DRILLING
FRONT VIEW



T3S 3 POLE
DRILLING
FRONT VIEW



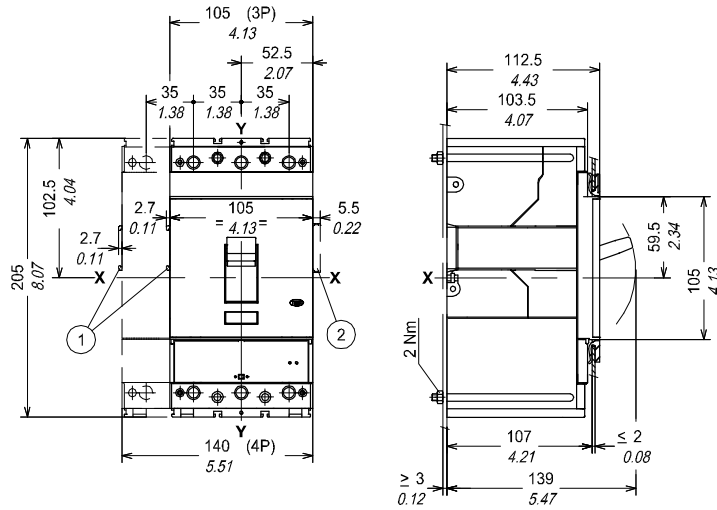
T3S 3 POLE
HANDLE DOOR
CUT-OUT

Approximate dimensions T4

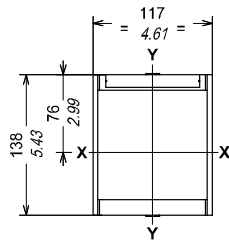
Fixed circuit breaker

Caption

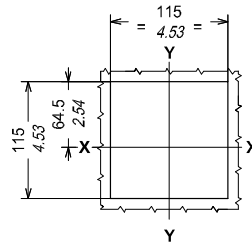
- ① Overall dimensions with cabled accessories mounted (SOR-C, UVR-C, RC221-222)
- ② Overall dimensions with cabled auxiliary contacts mounted (only 3Q 1SY)



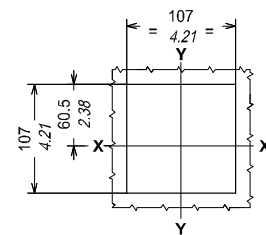
Flange for compartment door



Drilling templates of the compartment door



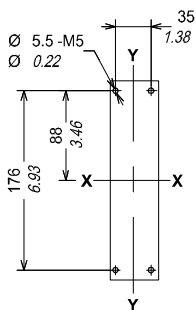
3-4 POLES
With flange



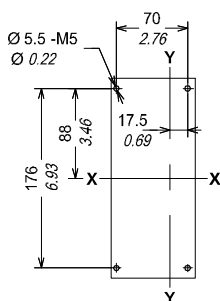
3-4 POLES
Without flange

Drilling templates for support sheet

For front terminals

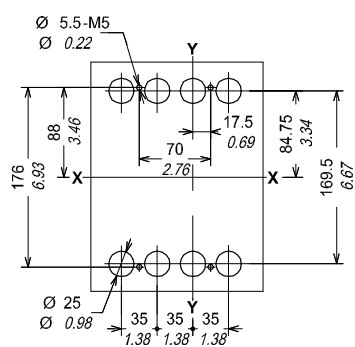
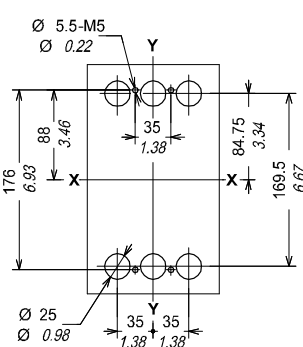


3 POLES



4 POLES

For rear terminals



Approximate dimensions T5

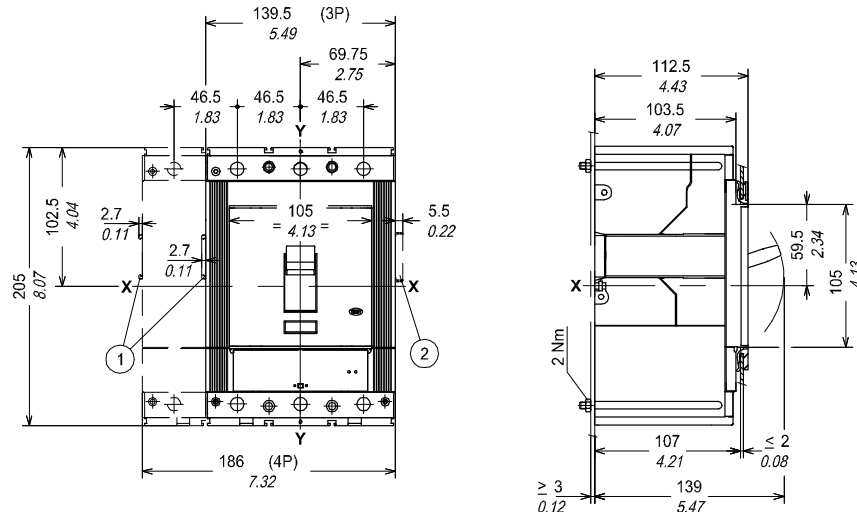
Tmax
MCCBs

Fixed circuit breaker

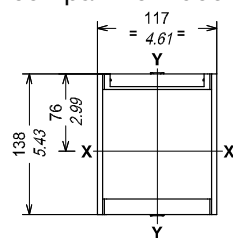
Fixing on sheet

Caption

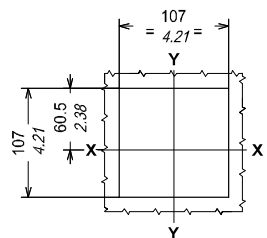
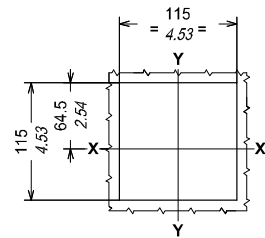
- ① Overall dimensions with cabled accessories mounted (SOR-C, UVR-C, RC221-222)
- ② Overall dimensions with cabled auxiliary contacts mounted (only 3Q 1SY)



Flange for compartment door



Drilling templates of the compartment door

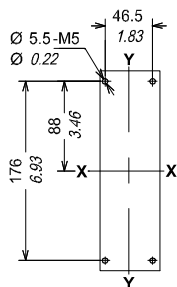


With flange (3-4 POLES)

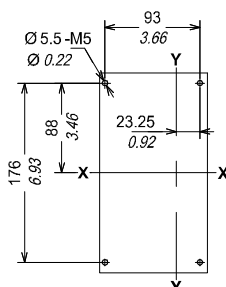
Without flange (3-4 POLES)

Drilling templates for support sheet

For front terminals

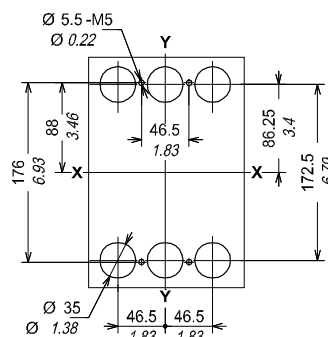


3 POLES

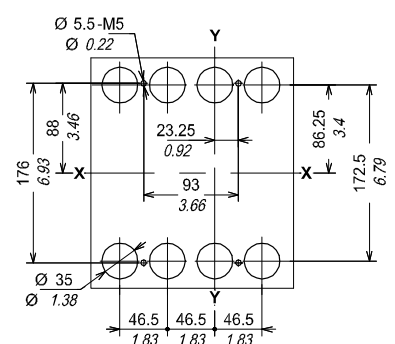


4 POLES

For rear terminals

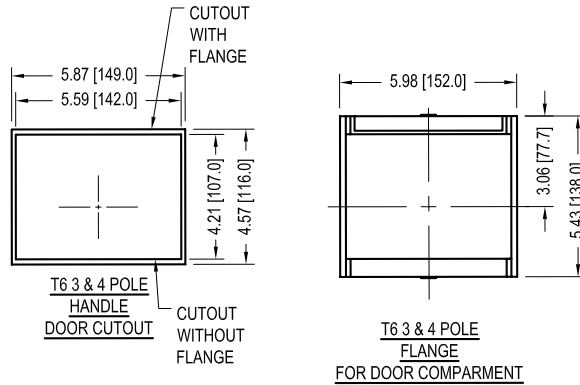
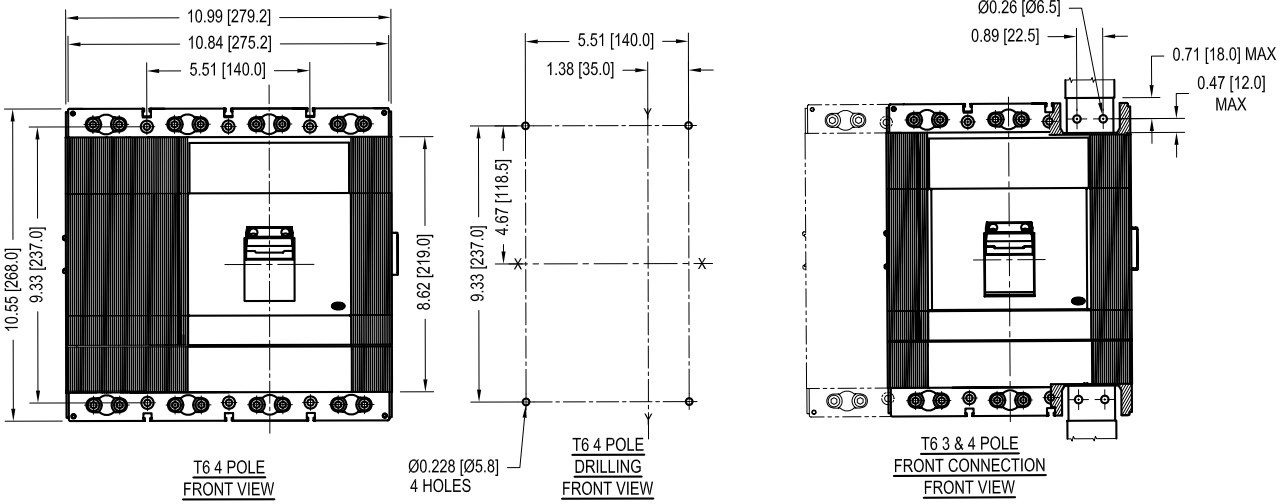
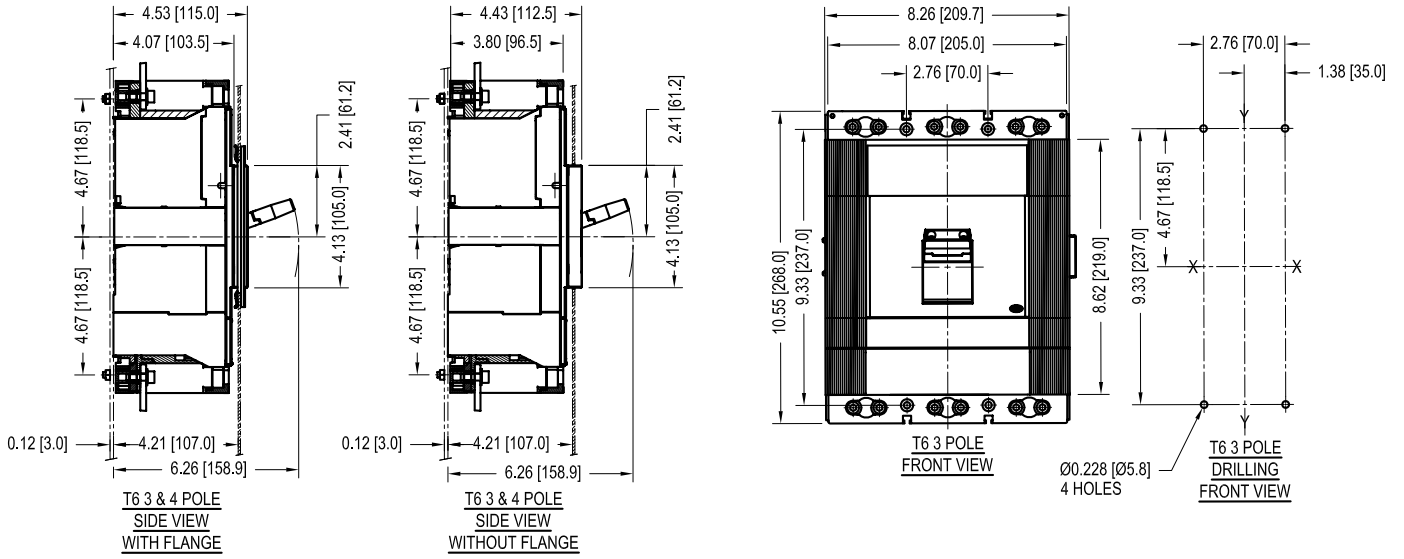


3 POLES



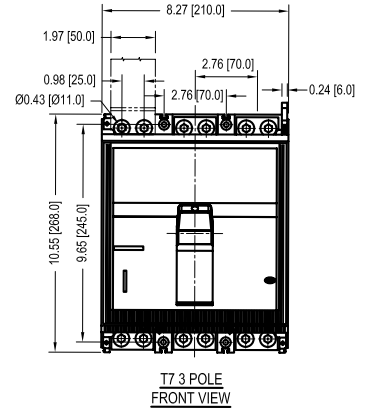
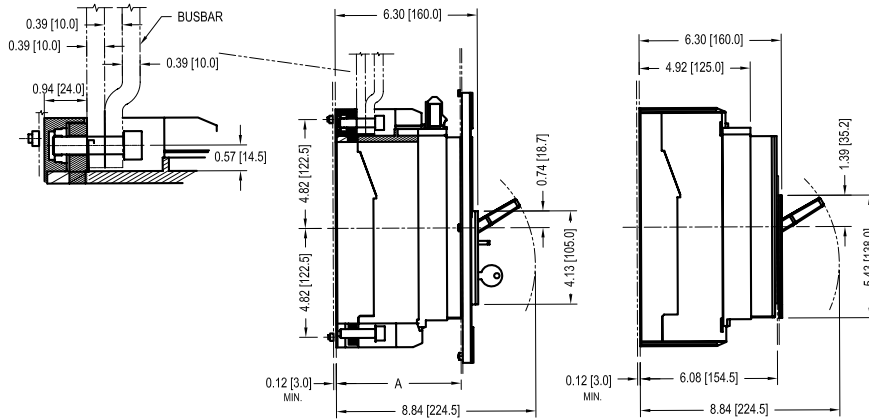
4 POLES

Approximate dimensions T6



Approximate dimensions T7

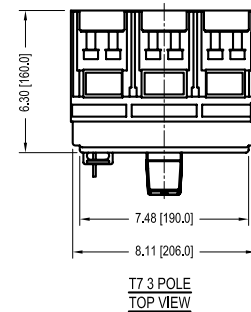
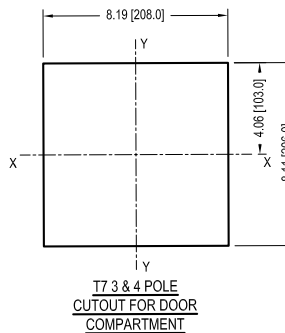
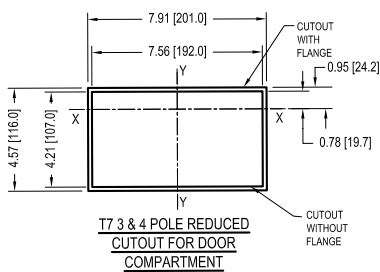
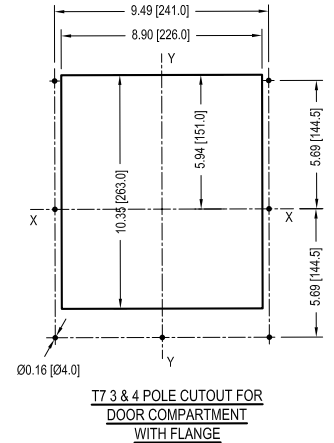
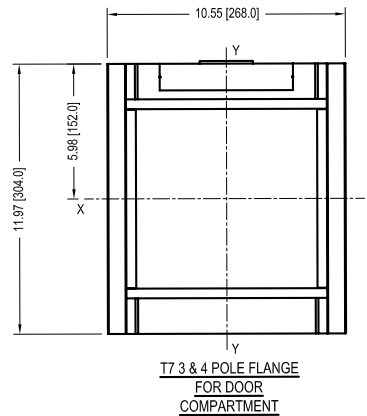
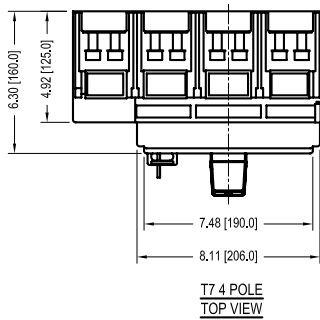
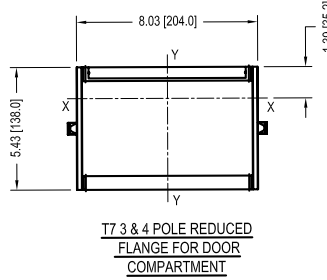
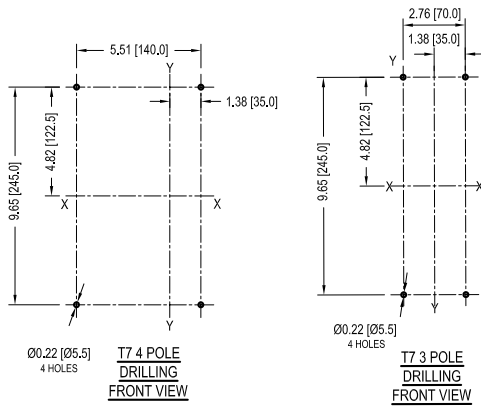
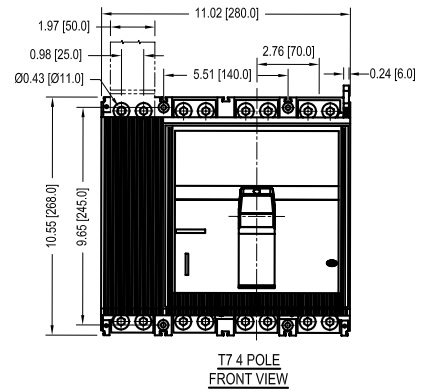
Tmax
MCCBs



	WITH FLANGE	WITHOUT FLANGE
A	4.92 [125.0] - 5.55 [141.0]	5.79 [147.0]

**T7 3 & 4 POLE
SIDE VIEW
WITH FLANGE**

**T7 3 & 4 POLE
SIDE VIEW
WITH REDUCED FLANGE**

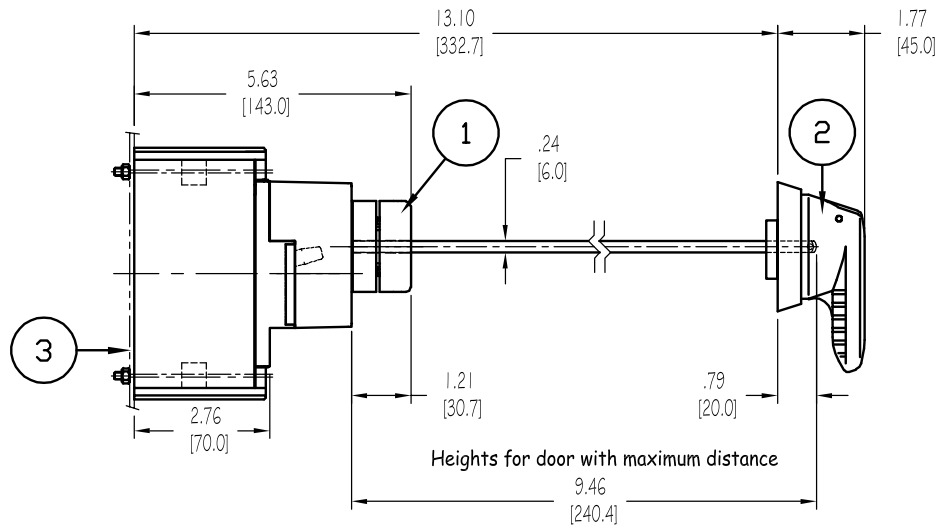


Approximate dimensions

Variable depth mechanism with OHB handle

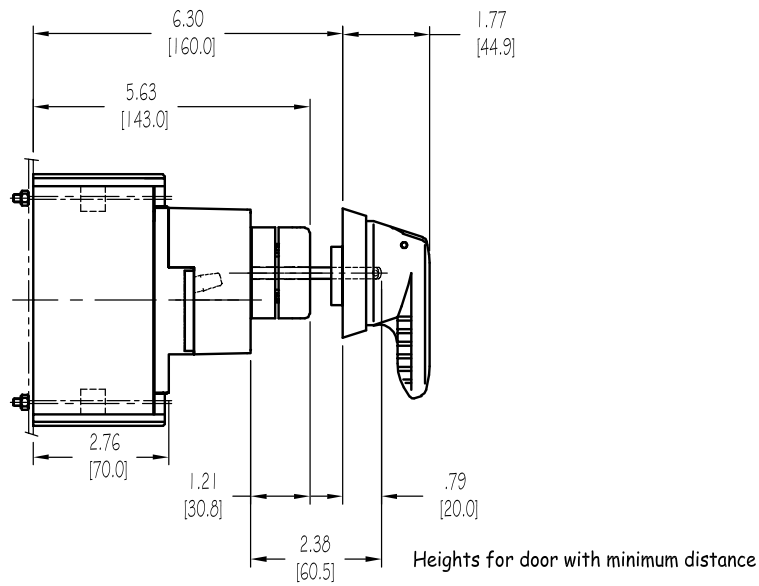
T1 - T3

Pistol handle operating mechanism on the compartment door



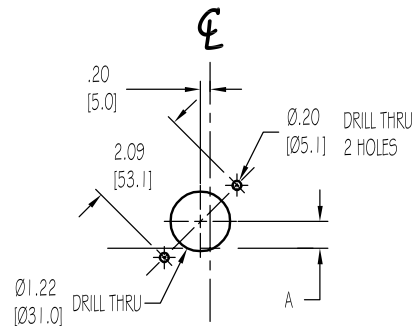
Caption

- ① Transmission unit
- ② Pistol handle operating mechanism on the compartment door
- ③ Insulating plate



Drilling template of the compartment door

A	
T1 - T2	T3
0.55 [13.97]	0.37 [9.4]

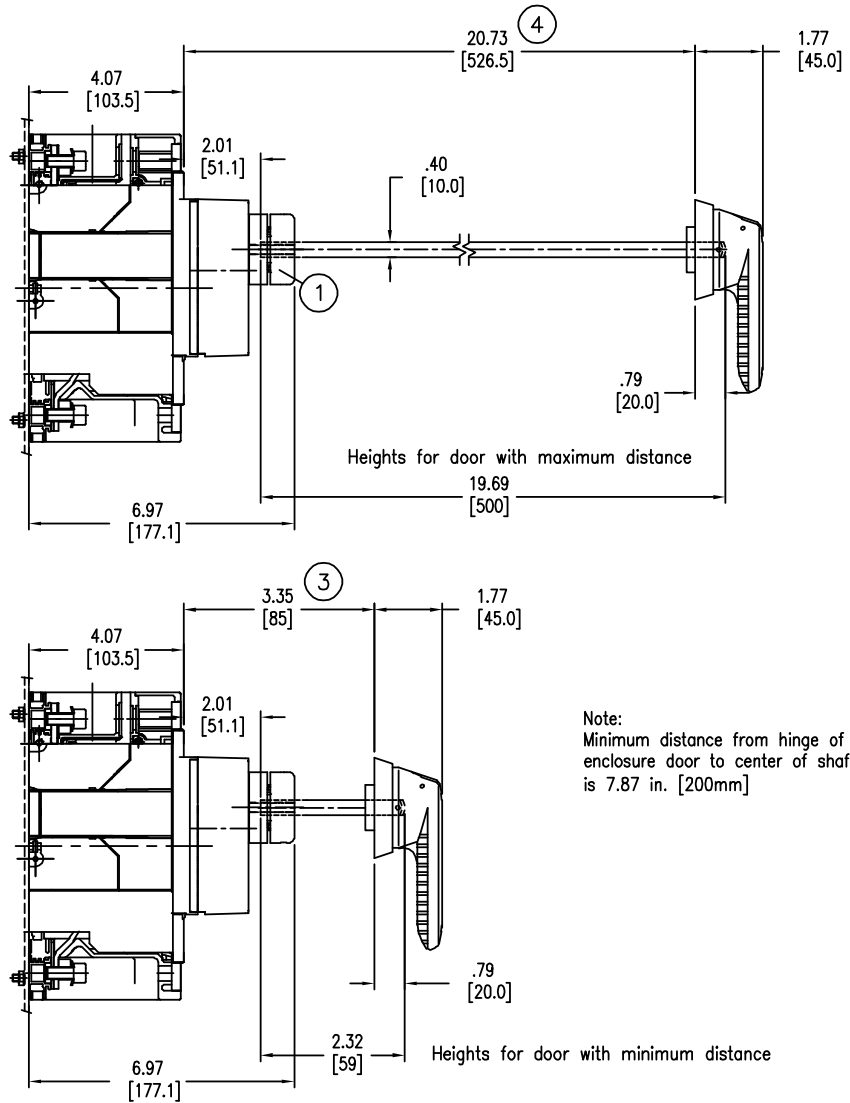


Approximate dimensions

Variable depth mechanism with OHB handle

T4 - T5

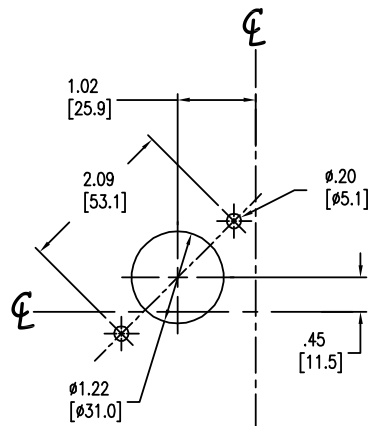
Pistol handle operating mechanism on the compartment door



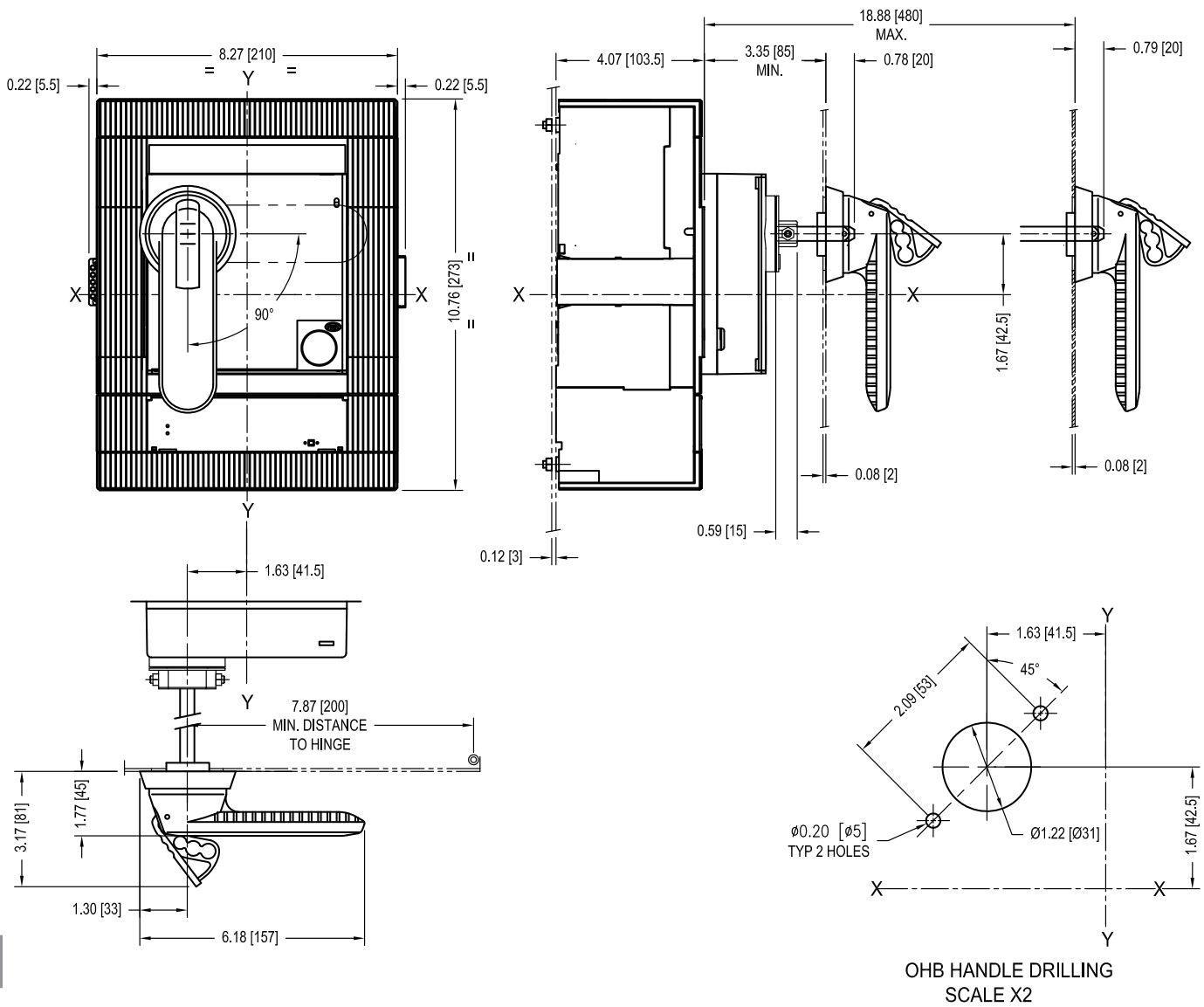
Caption

- ① Transmission unit
- ② Pistol handle operating mechanism on the compartment door
- ③ Minimum distance from the front door with accessory
- ④ Maximum distance from the front door with accessory

Drilling template of the compartment door

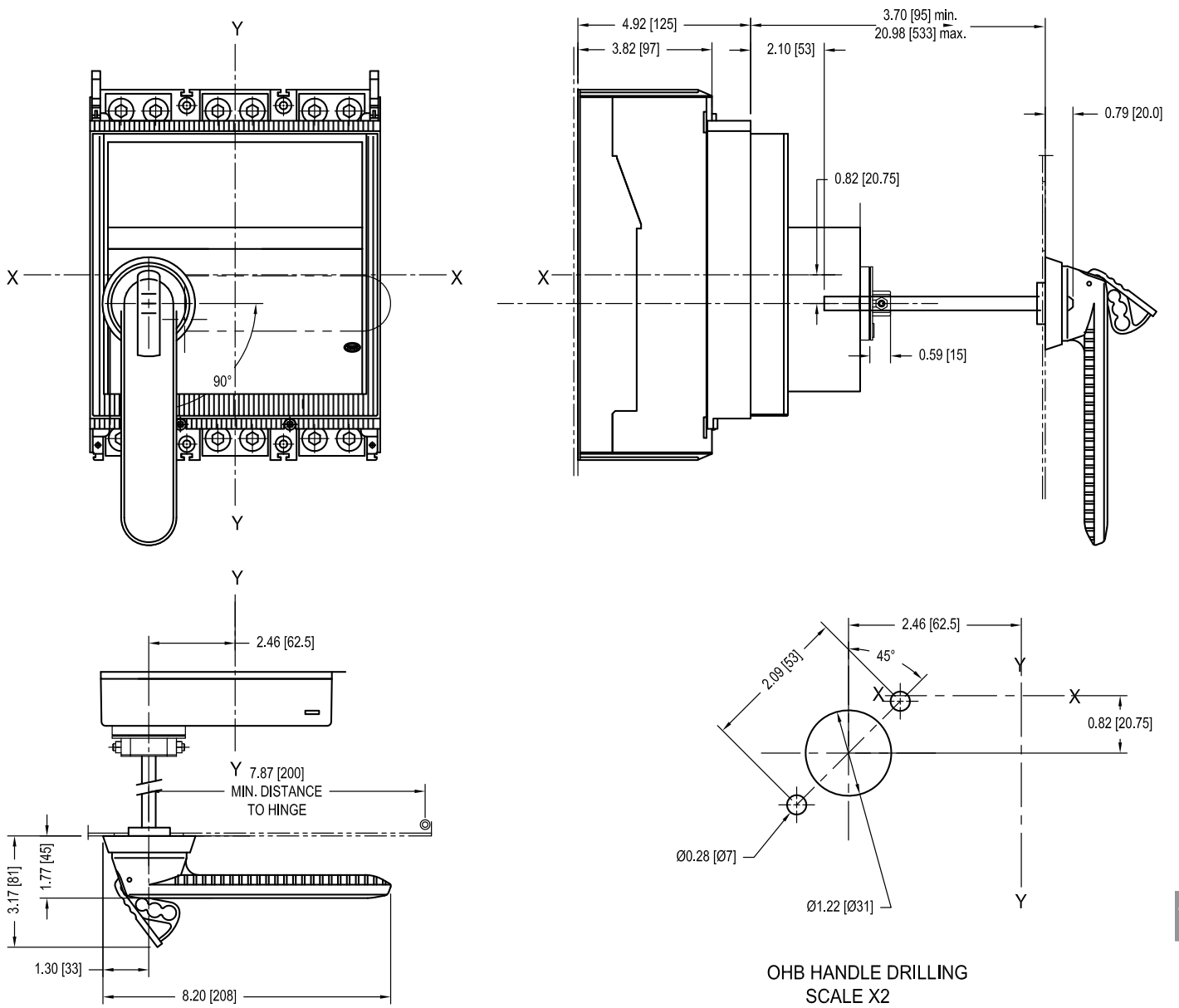


Approximate dimensions Variable depth mechanism T6



Approximate dimensions
Variable depth mechanism
T7

Tmax
MCCBs



OHB HANDLE DRILLING
SCALE X2

